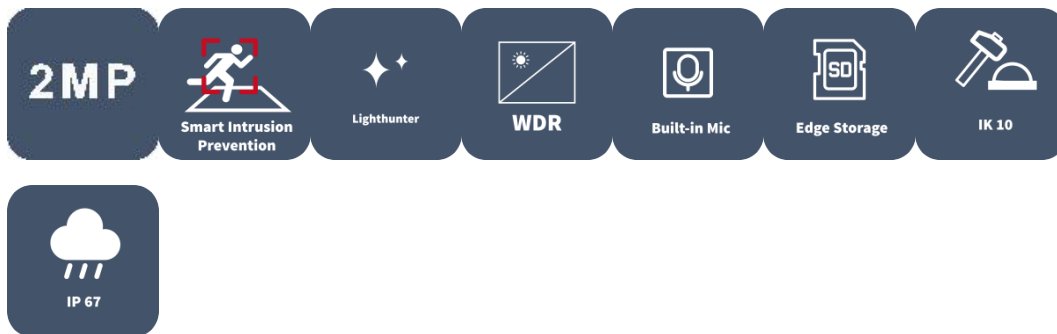


# 2MP HD Intelligent LightHunter IR VF Dome Network Camera

IPC3732SS-ADZK-I1



## Features

- High quality image with 2MP, 1/2.8"CMOS sensor
- 2MP (1920\*1080)@60/50/30/25(default)fps; 720P (1280\*720)@30/25fps
- Ultra 265, H.265, H.264, MJPEG
- Smart intrusion prevention, include cross line, intrusion, enter area, leave area detection
- Based on target classification, smart intrusion prevention significantly reduce false alarm caused by leaves, birds and lights etc., accurately focus on human and, motor vehicle and non-motor vehicle
- Intelligent
- Intelligent People Flow Counting and Crowd Density Monitoring
- Smart intrusion prevention with Color retrieval
- Auto Scene Match (ASM)(Only WDR)
- LightHunter technology ensures ultra-high image quality in low illumination environment

- 130dB true WDR technology enables clear image in strong light scene
- Support 9:16 Corridor Mode
- Alarm:1 in/1 out, Audio: 1 in/1 out, Built-in Mic
- Smart IR, up to 40m (131ft) IR distance
- Supports 512 G Micro SD card
- IK10 vandal resistant and IP67 protection

## Specifications

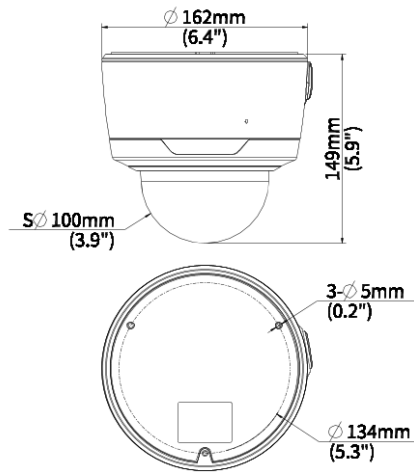
| Camera                    | Description  |
|---------------------------|--|
| Max Resolution            | 2MP  |
| Sensor                    | 1/2.8" CMOS  |
| Min. Illumination         | Colour: 0.0005lux (F1.0, AGC ON)<br>0 lux with IR on |
| Day/Night                 | IR-cut filter with auto switch (ICR)                 |
| Shutter                   | Auto/Manual, 1 ~ 1/100000s                           |
| Adjustment Angle          | Pan: 3° ~ 360°, Tilt: 0° ~ 68°, Rotate: 3° ~ 360°    |
| S/N                       | >52dB  |
| WDR                       | 130dB  |
| Lens                      | Description  |
| Focal Length              | 2.7 ~ 13.5 mm  |
| Iris Type                 | Fixed  |
| Iris                      | F1.0   |
| Field of View (H)         | 96.2°~ 26.0°   |
| Field of View (V)         | 39.2°~ 18.7°   |
| Field of View (D)         | 99.1°~ 31.1°   |
| Lens Type                 | Motorized  |
| DORI                      | Description  |
| DORI Distance (Lens)      | 2.7mm, 13.5mm  |
| DORI Distance (Detect)    | 41.9m(137.4ft), 209.5m(687.3ft)                      |
| DORI Distance (Observe)   | 16.8m(55.1ft), 83.8m(274.9ft)                        |
| DORI Distance (Recognize) | 8.4m(27.5ft), 41.9m(137.4ft)                         |

|                            |   |
|----------------------------|---|
| DORI Distance (Identify)   | 4.2m(13.7ft), 20.9m(68.5ft)   |
| <b>Illuminator</b>         | Description   |
| Supplemental Light         | IR  |
| Illumination Distance (IR) | 40 m (131.2 ft)   |
| IR On/Off Control          | Auto/Manual   |
| Wavelength                 | 850 nm  |
| <b>Video</b>               | Description   |
| Video Compression          | Ultra 265; H.265; H.264; MJPEG  |
| H.264 Code Profile         | Baseline profile, Main profile, High profile  |
| Frame Rate                 | Main Stream: 2MP (1920*1080), Max 60fps; 720P (1280*720), Max 30fps;<br>Sub Stream: 720P (1280*720), Max 30fps; D1 (720*576), Max 30fps; 640*360, Max 30fps;<br>2CIF(704*288), Max 30fps; CIF(352*288), Max 30fps<br>Third Stream: D1 (720*576), Max 30fps; 640*360,Max 30fps; 2CIF(704*288), Max 30fps;CIF(352*288), Max 30fps |
| Video Bit Rate             | 128 Kbps ~ 16 Mbps  |
| U-code                     | Support   |
| OSD                        | Up to 8 OSDs  |
| Privacy Mask               | Up to 4 areas   |
| ROI                        | Support   |
| Video Stream               | Triple Streams  |
| <b>Image</b>               | Description   |
| Auto Scene Match (ASM)     | Support (Only WDR)  |
| White Balance              | Auto; Outdoor; Fine Tune; Sodium Lamp; Locked; Auto2  |
| Digital Noise Reduction    | 2D/3D DNR   |
| Smart IR                   | Support   |
| Flip                       | Normal; Flip Vertical; Flip Horizontal; 180°; 90°Clockwise; 90°Anti-clockwise   |
| Dewarping                  | N/A   |
| HLC                        | Support   |
| BLC                        | Support   |
| Defog                      | Digital Defog   |
| <b>Intelligent</b>         | Description   |
| Smart Intrusion Prevention | Cross line detection, Intrusion detection, Enter area detection, Leave area detection   |

|                        |  |
|------------------------|--|
|                        | (support false alarm filtering and the classification of human, non-motor vehicle and vehicle)   |
| Statistical Analysis   | N/A  |
| People Counting        | Support People Flow Counting and Crowd Density Monitoring  |
| Attribute Collection   | SIP with color retrieval   |
| <b>Events</b>          | Description  |
| Basic Detection        | Motion Detection; Ultra Motion Detection; Tampering Alarm; Audio Detection   |
| General Function       | Watermark; IP Address Filtering; Access Policy; ARP Protection; RTSP Authentication; User Authentication; HTTP Authentication; Alarm Input; Alarm Output   |
| <b>Audio</b>           | Description  |
| Audio Compression      | G.711U; G.711A   |
| Audio Bitrate          | 64 Kbps  |
| Two-way Audio          | Support  |
| Suppression            | Support  |
| Sampling Rate          | 8 KHz  |
| <b>Storage</b>         | Description  |
| Edge Storage           | Micro SD, up to 512 GB   |
| Network Storage        | ANR; NAS (NFS)   |
| <b>Network</b>         | Description  |
| Protocols              | IPv4; IPv6; IGMP; ICMP; ARP; TCP; UDP; DHCP; PPPoE; RTP; RTSP; RTCP; RTMP; DNS; DDNS; NTP; FTP; UPnP; HTTP; HTTPS; SMTP; 802.1x; SNMP; QoS; SSL/TLS; SSH   |
| Compatible Integration | ONVIF (Profile S, Profile G, Profile T); API; SDK  |
| User/Host              | Up to 32 users. 3 user levels: administrator, common user and operator   |
| Security               | Password Protection; Strong Password; HTTPS Encryption; Export Operation Logs; Basic and Digest Authentication for RTSP; Digest Authentication for HTTP; TLS 1.2; WSSE and Digest Authentication for ONVIF |
| Client                 | UNV-Link; UNV-Link Pro; EZStation  |
| Web Browser            | Plug-in required live view: IE 10 and above, Chrome 45 and above, Firefox 52 and above, Edge 79 and above; Plug-in free live view: Chrome 57.0 and above, Firefox 58.0 and above, Edge 16 and above        |
| <b>Interface</b>       | Description  |
| Audio I/O              | 1 Input: impedance 35k $\Omega$ ; amplitude 2V [p-p]; 1 Output: impedance 600 $\Omega$ ; amplitude 2V [p-p]  |

|                      |   |
|----------------------|---|
| Alarm I/O            | 1/1   |
| Serial Port          | N/A   |
| Built-in Mic         | Support   |
| Built-in Speaker     | N/A   |
| WIFI                 | N/A   |
| Network              | 1 x RJ45 10M/100M Base-TX Ethernet  |
| Video Output         | N/A   |
| <b>Certification</b> | <b>Description</b>  |
| EMC                  | CE-EMC (EN 55032, EN 61000-3-3, EN IEC 61000-3-2, EN 50130)<br>FCC (FCC 47 CFR part15 B)  |
| Safety               | CE-LVD (EN 62368-1)<br>CB (IEC 62368-1)<br>UL/CUL (UL 62368-1, CAN/CSA C22.2 No. 62368-1)   |
| Environment          | CE-RoHS (2011/65/EU;(EU)2015/863); WEEE (2012/19/EU)  |
| Protection           | IP67 (IEC 60529)<br>IK10 (IEC 62262)  |
| <b>General</b>       | <b>Description</b>  |
| Power                | DC 12V ±25%, PoE (IEEE 802.3af)   |
| Power Consumption    | Max 9.5W  |
| Power Interface      | Ø 5.5 mm coaxial power plug   |
| Dimensions           | Ø162 x 149mm (Ø6.4" x 5.9" ) (Ø x H)  |
| Weight               | 1.40kg (3.10lb)   |
| Material             | Metal   |
| Working Environment  | -30 °C ~ 60 °C (-22 °F ~ 140 °F), Humidity: ≤95% RH (non-condensing)  |
| Storage Environment  | -30 °C ~ 60 °C (-22 °F ~ 140 °F), Humidity: ≤95% RH (non-condensing)  |
| Surge Protection     | 6KV   |
| Reset Button         | Support   |
| Web Client Language  | 20 Languages<br>Traditional Chinese, English, Simplified Chinese, Polish, German, Russian, French, Korean, Dutch, Czech, Portuguese (Europe), Portuguese (Brazil), Japanese, Thai, Turkish, Spanish (Latin America), Spanish (Europe), Hungarian, Italian, Vietnamese |

## Dimensions



### Zhejiang Uniview Technologies Co., Ltd.

No. 369, Xietong Road, Xixing Sub-district, Binjiang District, Hangzhou City, 310051, Zhejiang Province, China (Zhejiang) Pilot Free Trade Zone, China

Email: [overseasbusiness@uniview.com](mailto:overseasbusiness@uniview.com); [globalsupport@uniview.com](mailto:globalsupport@uniview.com)

<http://www.uniview.com>

©2024 Zhejiang Uniview Technologies Co., Ltd. All rights reserved.

\*Product specifications and availability are subject to change without notice.

\*Despite our best efforts, technical or typographical errors may exist in this document. Uniview cannot be held responsible for any such errors and reserves the right to change the contents of this document without prior notice.