

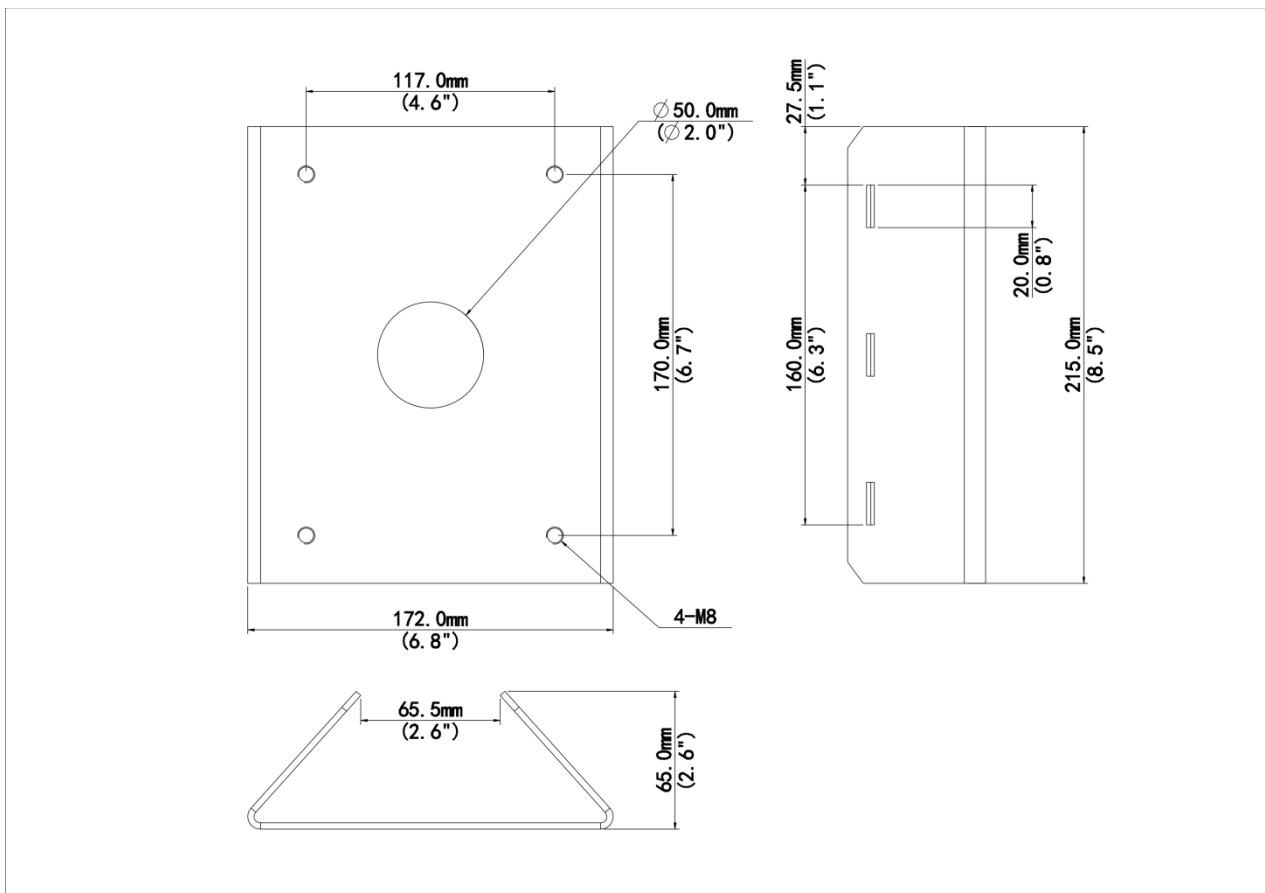
**TR-UP08-B-IN Aluminum Alloy Pole Mount Bracket**  
**TR-UP08-B-IN**



# Specifications

Model	TR-UP08-B-IN
Bracket	
Application	Indoor or outdoor, pole installation for PTZ dome camera
Bracket Dimensions	215mmx172mmx65mm(8.5" x 6.8"x 2.6")
Embrace Hoop Diameter	67mm~127mm(2.6"~5")
Bracket Weight	0.55kg(1.2lb)
Bracket Material	Aluminum alloy

# Dimensions



# Ordering Info

Product Model	Description
TR-UP08-B-IN	Aluminium Alloy Pole Mounting Bracket

# Unlimited New View

## Zhejiang Uniview Technologies Co., Ltd.



<http://www.uniview.com>



[overseasbusiness@uniview.com](mailto:overseasbusiness@uniview.com); [globalsupport@uniview.com](mailto:globalsupport@uniview.com)



No. 369, Xietong Road, Xixing Sub-district, Binjiang District, Hangzhou City, 310051, Zhejiang Province, China



©2023-2025 Zhejiang Uniview Technologies Co., Ltd. All rights reserved.

\*Product specifications and availability are subject to change without notice.

Despite our best efforts, technical or typographical errors may exist in this document. Uniview cannot be held responsible for any such errors and reserves the right to change the contents of this document without prior notice.