

# Illuminator Quick Guide

V1.01

# 1 Safety Instructions

Before installation, be sure to carefully read and implement the safety instructions specified in this manual.

- Make sure that there is no bare cable. Take measures to prevent the tail cable from water.
- Do not move the device by pulling the tail cable, otherwise, the cable connector may work loose.
- Do not connect the device with a clipped tail cable, it may cause short circuit and device failure.
- Do not pull the tail cable for connection. Extend it if necessary.
- Do not rotate the screws on the front cover during installation and use, it may affect the lens flatness and waterproof performance.
- Take effective measures to protect the power cord from being tramped or pressed.
- The grounding terminal must be connected to ground.
- Do not stare at operating light at close range, it will damage your eyes. Be sure to disconnect power when checking the device.
- To clean the device, use a clean and soft cloth dipped with alcohol to wipe it gently. Use a small amount of neutral detergent to wipe the glass window. Do not apply chemicals such as thinner and benzene to the device.

# 2 Packing List

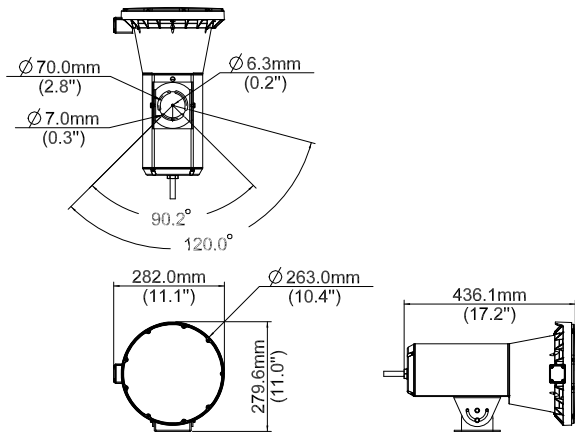
The package contents may vary with device model.

No.	Name	Qty	Unit
1	Illuminator	1	PCS
2	Product documents	1	Set

# 3 Product Overview

## 3.1 Appearance

The appearance may vary with device model.



## 3.2 Tail Cable

The tail cable contains a power cable and a signal cable.

Item	Power Cable		
Color	Brown	Blue	Yellow and green
Description	Live wire (L)	Neutral wire (N)	Grounding wire (PE)

Item	Signal Cable			
Color	Blue	Yellow	Red	Black
Description	Flash trigger+	Flash trigger-	Strobe trigger+	Strobe trigger-

# 4 Installation

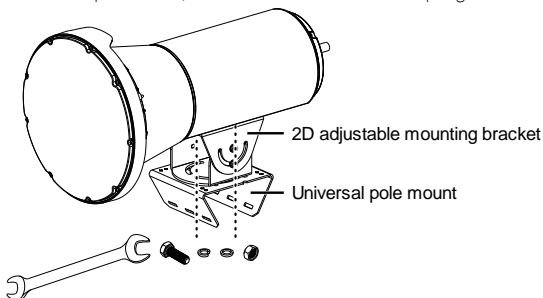
## 4.1 Mount the Device



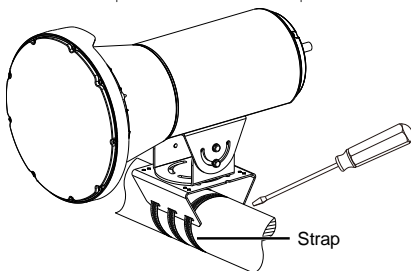
### NOTE!

- The universal pole mount and strap are sold separately.
- The 2D adjustable mounting bracket is pre-mounted in factory.

1. Use screws and nuts to connect the 2D adjustable mounting bracket and the universal pole mount, and secure them with flat and spring washers.



2. Use the strap to fasten the universal pole mount to the pole arm.



3. Adjust the illumination angle.

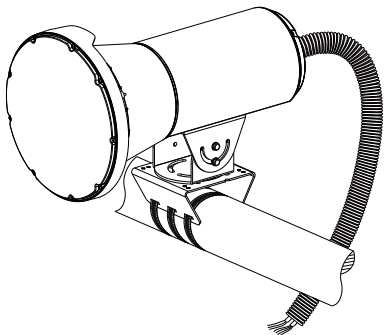
## 4.2 Connect Cables



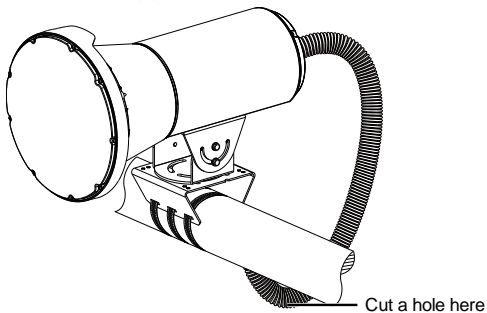
### NOTE!

To prevent cables from long-term exposure to sunlight and rain that could accelerate the aging of cables, it is recommended to place them in a corrugated pipe (purchased separately).

1. Lead cables through the corrugated pipe, and seal the joint of the cable outlet and the corrugated pipe with waterproof tape.



2. Connect the power cable to a power source device, and make insulation and waterproofing treatment.
3. Connect the signal wires to the rail terminal in the camera housing (it is recommended to connect the flash trigger wire± to the F terminal, the strobe trigger wire+ to the P terminal, and the strobe trigger wire- to the G terminal).
4. Insert the other end of the corrugated pipe into the hole at the bottom of the pole arm, and cut a hole at the bend to prevent water accumulation in case water comes into the pipe.





## CAUTION!

- To ensure stable and reliable operation, please use the device in a safe and compliant electrical environment, such as stable supply voltage and leakage protection. Use independent power supplies for the device and the camera to avoid interference.
- The cables must be connected correctly, otherwise, the device may be damaged. RVV (3×1) cable is recommended for power transmission, and ensure that the power cable can withstand 10A current.
- Make sure that the connected rail terminal is in good condition and properly fastened. Make sure that the cable is not tense during installation, with a proper margin reserved to avoid poor port contact or loosening caused by shock or shake.

## 5 Startup

Check that all the cables are properly connected, and then connect the device to power to start it. Then the device will deliver light according to the signals input by the camera.

## 6 Brightness Adjustment

You can adjust the illumination intensity on the camera's Web interface.

1. Log in to the camera's Web interface.
2. Go to **Setup > External Device > IO**.
  - Flashing Light (F terminal): Click **Adjust**, select the **Enable** check box, set the brightness level (the higher the level, the brighter the light), and then click **OK**.

The screenshot shows the UNV web interface. The top navigation bar includes 'Live View', 'Photo', 'Setup' (with a circled 1), and 'Maintenance'. The left sidebar has 'External Device' selected (with a circled 2). The main content area is titled 'IO' (with a circled 3) and 'Network Peripheral'. It contains a table with columns: ID, Enable (with a circled 4), Type, Level Value, Pulse Width, Brightness, and Connection. The table lists F1, F2, and F3. F1 and F2 are 'Flashing Light' with 'Low Level' and '100' brightness. F3 is 'Adjustable Flashing Light' with 'Adjustable Flashing Light Enable' checked (with a circled 5). Below the table, there are 'Day Brightness' and 'Night Brightness' dropdowns, both set to 'Level 5' (with a circled 6). A circled 7 is next to the 'OK' button. A callout box on the right says 'Click to adjust the brightness'.

- Strobe Light (P terminal): Set the **Pulse Width** (the greater the value, the brighter the light).

**NOTE!**

Please adjust the brightness according to the actual situation. It is recommended to adjust the brightness as high as possible under the condition that the license plate is not overexposed, so that the camera can capture clear images.

---

3. The camera will send brightness adjustment commands to the device according to the ambient light intensity (day or night).

# Disclaimer and Safety Warnings


## Copyright Statement

©2022 Zhejiang Uniview Technologies Co., Ltd. All rights reserved.

No part of this manual may be copied, reproduced, translated or distributed in any form or by any means without prior consent in writing from Zhejiang Uniview Technologies Co., Ltd (referred to as Uniview or us hereafter).

The product described in this manual may contain proprietary software owned by Uniview and its possible licensors. Unless permitted by Uniview and its licensors, no one is allowed to copy, distribute, modify, abstract, decompile, disassemble, decrypt, reverse engineer, rent, transfer, or sublicense the software in any form by any means.

## Trademark Acknowledgements

 are trademarks or registered trademarks of Uniview.

All other trademarks, products, services and companies in this manual or the product described in this manual are the property of their respective owners.

## Export Compliance Statement

Uniview complies with applicable export control laws and regulations worldwide, including that of the People's Republic of China and the United States, and abides by relevant regulations relating to the export, re-export and transfer of hardware, software and technology. Regarding the product described in this manual, Uniview asks you to fully understand and strictly abide by the applicable export laws and regulations worldwide.

## EU Authorised Representative

UNV Technology EUROPE B.V. Room 2945, 3rd Floor, Randstad 21-05 G, 1314 BD, Almere, Netherlands.

## Privacy Protection Reminder

Uniview complies with appropriate privacy protection laws and is committed to protecting user privacy. You may want to read our full privacy policy at our website and get to know the ways we process your personal information. Please be aware, using the product described in this manual may involve the collection of personal information such as face, fingerprint, license plate number, email, phone number, GPS. Please abide by your local laws and regulations while using the product.

## About This Manual

- This manual is intended for multiple product models, and the photos, illustrations, descriptions, etc, in this manual may be different from the actual appearances, functions, features, etc, of the product.
- This manual is intended for multiple software versions, and the illustrations and descriptions in this manual may be different from the actual GUI and functions of the software.



- Despite our best efforts, technical or typographical errors may exist in this manual. Uniview cannot be held responsible for any such errors and reserves the right to change the manual without prior notice.
- Users are fully responsible for the damages and losses that arise due to improper operation.
- Uniview reserves the right to change any information in this manual without any prior notice or indication. Due to such reasons as product version upgrade or regulatory requirement of relevant regions, this manual will be periodically updated.

## Disclaimer of Liability

- To the extent allowed by applicable law, in no event will Uniview be liable for any special, incidental, indirect, consequential damages, nor for any loss of profits, data, and documents.
- The product described in this manual is provided on an "as is" basis. Unless required by applicable law, this manual is only for informational purpose, and all statements, information, and recommendations in this manual are presented without warranty of any kind, expressed or implied, including, but not limited to, merchantability, satisfaction with quality, fitness for a particular purpose, and noninfringement.
- Users must assume total responsibility and all risks for connecting the product to the Internet, including, but not limited to, network attack, hacking, and virus. Uniview strongly recommends that users take all necessary measures to enhance the protection of network, device, data and personal information. Uniview disclaims any liability related thereto but will readily provide necessary security related support.
- To the extent not prohibited by applicable law, in no event will Uniview and its employees, licensors, subsidiary, affiliates be liable for results arising out of using or inability to use the product or service, including, not limited to, loss of profits and any other commercial damages or losses, loss of data, procurement of substitute goods or services; property damage, personal injury, business interruption, loss of business information, or any special, direct, indirect, incidental, consequential, pecuniary, coverage, exemplary, subsidiary losses, however caused and on any theory of liability, whether in contract, strict liability or tort (including negligence or otherwise) in any way out of the use of the product, even if Uniview has been advised of the possibility of such damages (other than as may be required by applicable law in cases involving personal injury, incidental or subsidiary damage).
- To the extent allowed by applicable law, in no event shall Uniview's total liability to you for all damages for the product described in this manual (other than as may be required by applicable law in cases involving personal injury) exceed the amount of money that you have paid for the product.

## Network Security

**Please take all necessary measures to enhance network security for your device.**

The following are necessary measures for the network security of your device:

- **Change default password and set strong password:** You are strongly recommended to change the default password after your first login and set a strong password of at least nine characters including all three elements: digits, letters and special characters.

- **Keep firmware up to date:** It is recommended that your device is always upgraded to the latest version for the latest functions and better security. Visit Uniview's official website or contact your local dealer for the latest firmware.

**The following are recommendations for enhancing network security of your device:**

- **Change password regularly:** Change your device password on a regular basis and keep the password safe. Make sure only the authorized user can log in to the device.
- **Enable HTTPS/SSL:** Use SSL certificate to encrypt HTTP communications and ensure data security.
- **Enable IP address filtering:** Allow access only from the specified IP addresses.
- **Minimum port mapping:** Configure your router or firewall to open a minimum set of ports to the WAN and keep only the necessary port mappings. Never set the device as the DMZ host or configure a full cone NAT.
- **Disable the automatic login and save password features:** If multiple users have access to your computer, it is recommended that you disable these features to prevent unauthorized access.
- **Choose username and password discretely:** Avoid using the username and password of your social media, bank, email account, etc, as the username and password of your device, in case your social media, bank and email account information is leaked.
- **Restrict user permissions:** If more than one user needs access to your system, make sure each user is granted only the necessary permissions.
- **Disable UPnP:** When UPnP is enabled, the router will automatically map internal ports, and the system will automatically forward port data, which results in the risks of data leakage. Therefore, it is recommended to disable UPnP if HTTP and TCP port mapping have been enabled manually on your router.
- **SNMP:** Disable SNMP if you do not use it. If you do use it, then SNMPv3 is recommended.
- **Multicast:** Multicast is intended to transmit video to multiple devices. If you do not use this function, it is recommended you disable multicast on your network.
- **Check logs:** Check your device logs regularly to detect unauthorized access or abnormal operations.
- **Physical protection:** Keep the device in a locked room or cabinet to prevent unauthorized physical access.
- **Isolate video surveillance network:** Isolating your video surveillance network with other service networks helps prevent unauthorized access to devices in your security system from other service networks.

### Learn More

You may also obtain security information under Security Response Center at Uniview's official website.

## Safety Warnings

The device must be installed, serviced and maintained by a trained professional with necessary safety knowledge and skills. Before you start using the device, please read through this guide carefully and make sure all applicable requirements are met to avoid danger and loss of property.

### Storage, Transportation, and Use

- Store or use the device in a proper environment that meets environmental requirements, including and not limited to, temperature, humidity, dust, corrosive gases, electromagnetic radiation, etc.
- Make sure the device is securely installed or placed on a flat surface to prevent falling.
- Unless otherwise specified, do not stack devices.
- Ensure good ventilation in the operating environment. Do not cover the vents on the device. Allow adequate space for ventilation.
- Protect the device from liquid of any kind.
- Make sure the power supply provides a stable voltage that meets the power requirements of the device. Make sure the power supply's output power exceeds the total maximum power of all the connected devices.
- Verify that the device is properly installed before connecting it to power.
- Do not remove the seal from the device body without consulting Uniview first. Do not attempt to service the product yourself. Contact a trained professional for maintenance.
- Always disconnect the device from power before attempting to move the device.
- Take proper waterproof measures in accordance with requirements before using the device outdoors.

#### **Power Requirements**

- Install and use the device in strict accordance with your local electrical safety regulations.
- Use a UL certified power supply that meets LPS requirements if an adapter is used.
- Use the recommended cordset (power cord) in accordance with the specified ratings.
- Only use the power adapter supplied with your device.
- Use a mains socket outlet with a protective earthing (grounding) connection.
- Ground your device properly if the device is intended to be grounded.

#### **Battery Use Caution**

- When battery is used, avoid:
  - Extremely high or low temperature and air pressure during use, storage and transportation.
  - Battery replacement.
- Use the battery properly. Improper use of the battery such as the following may cause risks of fire, explosion or leakage of flammable liquid or gas.
  - Replace battery with an incorrect type.
  - Dispose of a battery into fire or a hot oven, or mechanically crushing or cutting of a battery.
- Dispose of the used battery according to your local regulations or the battery manufacturer's instructions.

#### **Avertissement de l'utilisation de la batterie**

- Lorsque utiliser la batterie, évitez:
  - Température et pression d'air extrêmement élevées ou basses pendant l'utilisation, le stockage et le transport.
  - Remplacement de la batterie.
- Utilisez la batterie correctement. Mauvaise utilisation de la batterie comme celles mentionnées ici, peut entraîner des risques d'incendie, d'explosion ou de fuite liquide de gaz inflammables.
  - Remplacer la batterie par un type incorrect.

- Disposer d'une batterie dans le feu ou un four chaud, écraser mécaniquement ou couper la batterie.
- Disposer la batterie utilisée conformément à vos règlements locaux ou aux instructions du fabricant de la batterie.

## Regulatory Compliance

### FCC Statements

This device complies with Part 15 of the FCC Rules. Operation is subject to the following two conditions: (1) this device may not cause harmful interference, and (2) this device must accept any interference received, including interference that may cause undesired operation.

Visit [http://en.uniview.com/Support/Download\\_Center/Product\\_Installation/Declaration/](http://en.uniview.com/Support/Download_Center/Product_Installation/Declaration/) for SDoC.

**Caution:** The user is cautioned that changes or modifications not expressly approved by the party responsible for compliance could void the user's authority to operate the equipment.

**NOTE:** This equipment has been tested and found to comply with the limits for a Class A digital device, pursuant to part 15 of the FCC Rules. These limits are designed to provide reasonable protection against harmful interference when the equipment is operated in a commercial environment. This equipment generates, uses, and can radiate radio frequency energy and, if not installed and used in accordance with the instruction manual, may cause harmful interference to radio communications. Operation of this equipment in a residential area is likely to cause harmful interference in which case the user will be required to correct the interference at his own expense.

### LVD/EMC Directive



This product complies with the European Low Voltage Directive 2014/35/EU and EMC Directive 2014/30/EU.

### WEEE Directive–2012/19/EU



The product this manual refers to is covered by the Waste Electrical & Electronic Equipment (WEEE) Directive and must be disposed of in a responsible manner.

### Battery Directive-2013/56/EC



Battery in the product complies with the European Battery Directive 2013/56/EC. For proper recycling, return the battery to your supplier or to a designated collection point.