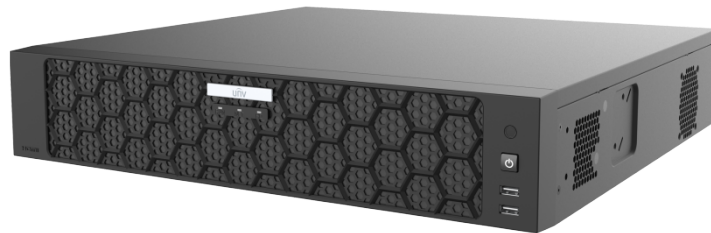


Network Video Recorder

NVR508-B Series



Features

- Support Ultra 265/H.265/H.264 video formats
- 16/32/64-channel input
- Support mainstream cameras of ONVIF conformance(Profile S, Profile G, Profile T) and RTSP protocols
- VGA and HDMI independent output (NVR508-64B simultaneous output by default , independent output configurable)
- Up to 16 Megapixels resolution recording
- Support N+1 Hot spare
- ANR technology to enhance the storage reliability when the network is disconnected
- Support cloud upgrade

Specifications

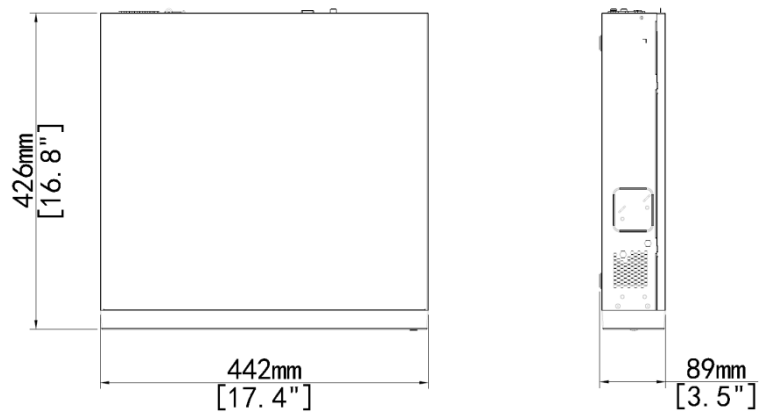
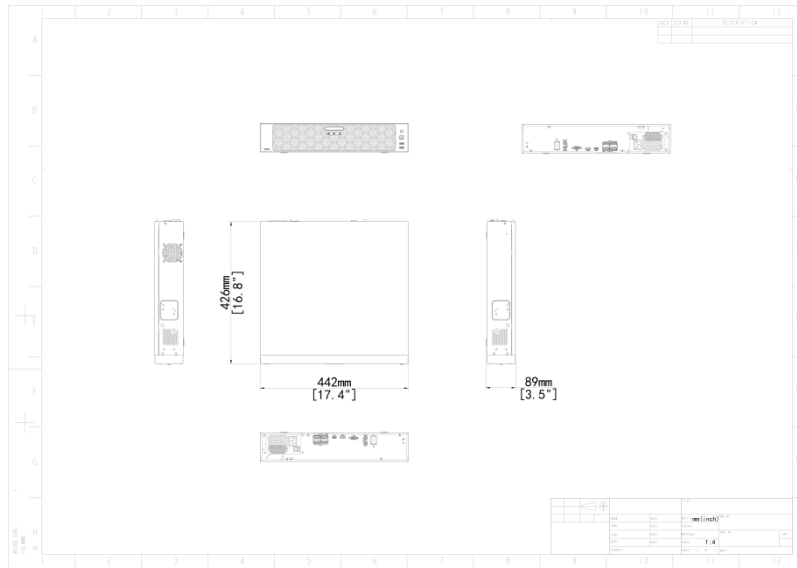
Decoding	Description
Decoding Format	Ultra 265, H.265, H.264
Decoding Capability	<p>NVR508-16B:Ultra 265/H.265: 2 x 16MP@30, 2 x 12MP@30, 4 x 4K@30, 6 x 5MP@30, 8 x 4MP@30, 10 x 3MP@30, 16 x 1080P@30</p> <p>H.264: 2 x 16MP(4800*2688)@30, 2 x 12MP@30, 2 x 4K@30, 4 x 5MP@30, 6 x 4MP@30, 8 x 3MP@30, 14 x 1080P@30, 16 x 960P@30</p> <p>NVR508-32B:Ultra 265/H.265: 2 x 16MP@30, 2 x 12MP@30, 4 x 4K@30, 6 x 5MP@30, 8 x 4MP@30, 10 x 3MP@30, 16 x 1080P@30, 32 x 960P@25</p> <p>H.264: 2 x 16MP(4800*2688)@30, 2 x 12MP@30, 2 x 4K@30, 4 x 5MP@30, 6 x 4MP@30,</p>

	<p>8 x 3MP@30, 14 x 1080P@30, 28 x 960P@25, 30 x 720P@30, 32 x D1</p> <p>NVR508-64B:Ultra 265/H.265: 2 x 16MP@30, 2 x 12MP@30, 4 x 4K@30, 6 x 5MP@30, 8 x 4MP@30, 10 x 3MP@30, 16 x 1080P@30, 32 x 960P@25, 36 x 720P@30, 64 x D1</p> <p>H.264: 2 x 16MP(4800*2688)@30, 2 x 12MP@30, 2 x 4K@30, 4 x 5MP@30, 6 x 4MP@30, 8 x 3MP@30, 14 x 1080P@30, 28 x 960P@25, 30 x 720P@30, 64 x D1</p>
Decoding Capability Description	<p>*. The resolution of each channel cannot exceed 8192 pixels in length and 4096 pixels in width.; *. For VGA/HDMI independent output, the VGA live video is output by default. To output the highest resolution video from the HDMI port, please clear the VGA video on the preview page.</p>
Audio Compression	G.711A, G.711U
Network	Description
Incoming Bandwidth	320Mbps
Outgoing Bandwidth	160Mbps
Remote Users	128
Protocols	TCP/IP; P2P; UPnP; NTP; DHCP; PPPoE; HTTP; HTTPS; DNS; DDNS; SNMP; SMTP; RTSP; 802.1x; IPv6; IPv4
Browser(Plugin)	Windows: IE (IE10/ 11), Firefox (version 52.0 and above), Chrome (version 45 and above), Edge (version 79 and above)
Video/Audio Input	Description
IP Video Input	<p>NVR508-16B:16-ch</p> <p>NVR508-32B:32-ch</p> <p>NVR508-64B:64-ch</p>
RCA Audio Input	1-ch
Video/Audio Output	Description
HDMI Output	4K(3840x2160)/30Hz, 1920x1080/60Hz, 1920x1080/50Hz, 1600x1200/60Hz, 1280x1024/60Hz, 1280x720/60Hz, 1024x768/60Hz
VGA Output	1920x1080/60Hz, 1920x1080/50Hz, 1600x1200/60Hz, 1280x1024/60Hz, 1280x720/60Hz, 1024x768/60Hz
RCA Audio Output	1-ch
Liveview Display	<p>NVR508-16B:1/4/6/8/9/16</p> <p>NVR508-32B:1/4/6/8/9/16/25/36</p> <p>NVR508-64B:Simultaneous Output:</p> <p>VGA:1/4/6/8/9/16/25/36/64,HDMI:1/4/6/8/9/16/25/36/64,</p> <p>Independent Output:</p> <p>VGA:1/4/6/8/9/16/25/32,HDMI: 1/4/6/8/9/16/25/32</p>

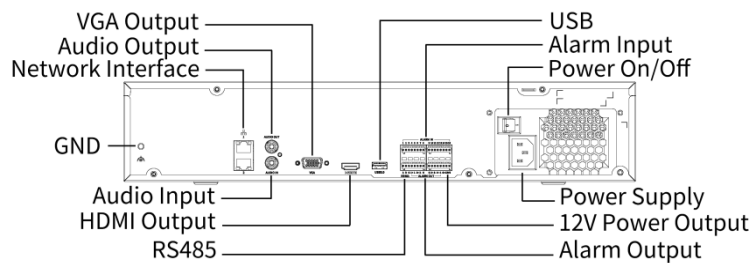
Corridor Mode Screen	NVR508-16B:3/4/5/7/9/10/12/16 NVR508-32B/NVR508-64B:3/4/5/7/9/10/12/16/32
Two-way Audio	Description
Two-way Audio	1-ch, RCA (Using the audio input and output)
Snapshot	Description
FTP/Schedule/Event Snapshot	4-ch snapshot, up to D1 resolution
Recording	Description
Recording Resolution	16MP/12MP/8MP/6MP/5MP/4MP/3MP/1080P/960P/720P/D1/2CIF/CIF
Synchronous Playback in Local	16-ch
Smart	Description
VCA Detection by IPC	Face Detection; face detection; Vehicle Detection; SIP (Intrusion Detection, Cross Line Detection, Enter Area, Leave Area); Ultra Motion Detection (UMD); Temperature Detection (Fire Detection, Smoking Detection, Temperature Measurement, Smoke and Fire Detection); People Counting (People Flow Counting, Crowd Density Monitoring); Video Metadata; Traffic Monitoring
VCA Search	Motor Vehicle Search; Non-Motor Vehicle Search; Human Body Search; General Search; People Counting Report; Heat Map
Smart by IPC	All channels (up to 8 images/s in total)Face Detection, face detection, Vehicle Detection, Temperature Detection, SIP, UMD, Video Metadata, Traffic Monitoring
Alarm	Description
General Alarm	Defocus Detection; Scene Change Detection; Object Left Behind; Object Removed; Auto Tracking; Motion Detection; Tampering; Human Body Detection; Video Loss; Alarm Input; Audio Detection
Alert Alarm	IP Conflict; Network Disconnected; Disk Offline; Disk Abnormal; Illegal Access; Hard Disk Space Low; Hard Disk Full; Recording/Snapshot Abnormal
GUI Language	Description
GUI Language	38 languages: Simplified Chinese, Traditional Chinese, English, Vietnamese, Thai, Turkish, Spanish (Latin America), Portuguese (Brazil), Spanish, Portuguese, French, German, Italian, Dutch, Polish, Czech, Hungarian, Slovak, Russian, Hebrew, Arabic, Ukrainian, Estonian, Bulgarian, Greek, Romanian, Danish, Swedish, Norwegian, Finnish, Croatian, Slovenia, Serbia, Korean, Japanese, Latvian, Lithuanian, Persian
Hard Disk	Description
SATA	8 SATA Interfaces
Capacity	Up to 16TB for each HDD (The maximum HDD capacity varies with environment temperature)

Disk Group	Support
Redundant Storage	Support
Disk Array Type	RAID 1, 5
External Interface	Description
Network Interface	2 RJ45 10M/100M/1000M self-adaptive Ethernet Interface
USB	Front panel: 2 x USB2.0; Rear panel: 1 x USB3.0
RS485	1
RS232	N/A
Alarm In	16-ch
Alarm Out	4-ch
Power Supply	AC 100 ~ 240 V
Power Switch	Support
Working Environment	Description
Working Temperature	-10 °C ~ 55 °C (14 °F ~ 131 °F)
Working Humidity	≤ 90% RH (non-condensing)
Power Consumption (without HDD)	≤ 32W
Dimensions	Description
Weight (without HDD)	≤ 5.5Kg (12.13lb)
Dimensions	442mm × 426mm × 89mm (17.4"×16.8"×3.5")
Certification	Description
Certification	CE; FCC; UL; RoHS; WEEE
CE	EN 55032, EN 61000-3-3, EN IEC 61000-3-2, EN 55035
FCC	Part15 Subpart B

Dimensions



Rear Panel



Zhejiang Uniview Technologies Co., Ltd.

No. 369, Xietong Road, Xixing Sub-district, Binjiang District, Hangzhou City, 310051, Zhejiang Province, China

Email: overseasbusiness@uniview.com; globalsupport@uniview.com

<http://www.uniview.com>

©2023-2024 Zhejiang Uniview Technologies Co., Ltd. All rights reserved.

*Product specifications and availability are subject to change without notice.

*Despite our best efforts, technical or typographical errors may exist in this document. Uniview cannot be held responsible for any such errors and reserves the right to change the contents of this document without prior notice.