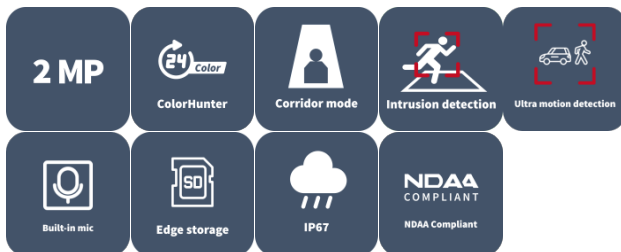


## 2MP Dual-light WDR Mini Dome Network Camera IPC312LE-ADF28K-DL



### Features

- High quality image with 1080P, 1/2.8" CMOS sensor
- 1080P (1920 × 1080)@30/25 fps; 720P (1280 × 720)@30/25 fps
- Ultra 265, H.265, H.264, MJPEG
- Smart intrusion prevention, including cross line, intrusion detection
- Support ultra motion detection (human/ vehicle detection)
- ColorHunter technology ensures 24-hour full-color images
- 120 dB true WDR technology enables clear image in strong light scene
- Supports 9:16 corridor mode
- Built in mic
- Smart IR, up to 30 m (98.4 ft) IR distance
- Warm light, up to 30 m (98.4 ft) warm light distance
- MicroSD, up to 512 GB
- IP67 protection

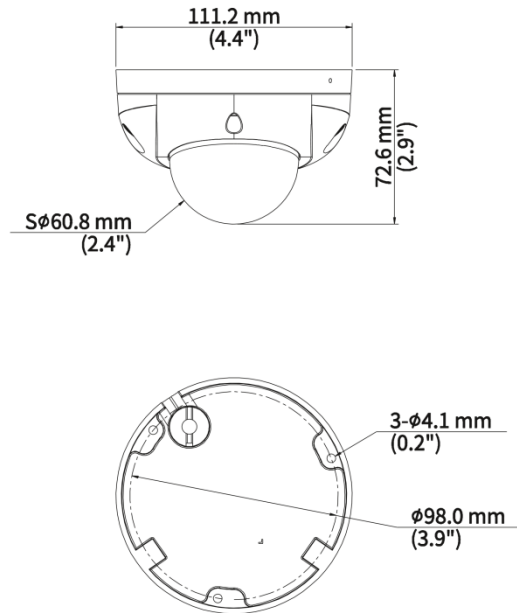
## Specifications

| Model                              | IPC312LE-ADF28K-DL   |
|------------------------------------|--|
| <b>Camera</b>                      |  |
| Max Resolution                     | 2 MP   |
| Sensor                             | 1/2.8" CMOS  |
| Min. Illumination                  | Color: 0.005 Lux (F1.6, AGC ON), 0 Lux with IR   |
| Day/Night                          | IR-cut filter with auto switch (ICR)   |
| Shutter                            | Auto/Manual, 1 to 1/100000 s   |
| Adjustment Angle                   | Pan: -48° to 48°, Tilt: 0° to 80°, Rotate: 0° to 360°  |
| S/N                                | > 52 dB  |
| WDR                                | 120 dB   |
| <b>Lens</b>                        |  |
| Focal Length                       | 2.8 mm   |
| Iris Type                          | Fixed  |
| Iris                               | F1.6   |
| Field of View (H)                  | 107.2°   |
| Field of View (V)                  | 61.0°  |
| Field of View (D)                  | 133.3°   |
| Lens Type                          | Fixed  |
| <b>DORI</b>                        |  |
| DORI Distance (Lens)               | 2.8 mm   |
| DORI Distance (Detect)             | 43.4 m (142.5 ft.)   |
| DORI Distance (Observe)            | 17.4 m (57.0 ft.)  |
| DORI Distance (Recognize)          | 8.7 m (28.5 ft.)   |
| DORI Distance (Identify)           | 4.3 m (14.3 ft.)   |
| <b>Illuminator</b>                 |  |
| Supplemental Light                 | Dual light   |
| Illumination Distance (Warm Light) | 30 m (98.4 ft.)  |
| Illumination Distance (IR)         | 30 m (98.4 ft.)  |
| IR On/Off Control                  | Auto/Manual  |
| Wavelength                         | 850 nm   |
| <b>Video</b>                       |  |
| Video Compression                  | Ultra 265, H.265, H.264, MJPEG   |
| H.264 Code Profile                 | Baseline profile, High profile   |
| Frame Rate                         | Main Stream: 1080P (1920 × 1080), max. 30 fps; 720P (1280 × 720), max. 30 fps;<br>Sub Stream: 720P (1280 × 720), max. 30 fps; D1 (720 × 576), max. 30 fps; 640 × 360, max. 30 fps;<br>2CIF (704 × 288), max. 30 fps; CIF (352 × 288), max. 30 fps; |
| Video Bit Rate                     | 128 Kbps to 6144 Kbps  |
| U-code                             | Support  |
| OSD                                | Up to 4 OSDs   |
| Privacy Mask                       | Up to 4 areas  |

|                         |   |
|-------------------------|---|
| ROI                     | Support   |
| Video Stream            | Dual streams  |
| Image                   |   |
| Smart IR                | Support   |
| White Balance           | Auto, Auto2, Outdoor, Fine tune, Sodium lamp, Locked, Area white balance  |
| Digital Noise Reduction | 2D/3D DNR   |
| Flip                    | Normal, Flip vertical, Flip horizontal, 180°, 90° Clockwise, 90° Anti-clockwise   |
| Dewarping               | N/A   |
| HLC                     | Support   |
| BLC                     | Support   |
| Defog                   | Digital defog   |
| Intelligent             |   |
| People Counting         | N/A   |
| Statistical Analysis    | N/A   |
| Events                  |   |
| Basic Detection         | Motion detection, Audio detection, Tampering alarm, Ultra motion detection (human/ vehicle detection) , Cross line (based on human body detection), Intrusion (based on human body detection)   |
| General Function        | Watermark, IP address filtering, Access policy, ARP protection, RTSP authentication, HTTP authentication, User authentication   |
| Audio                   |   |
| Audio Compression       | G.711A, G.711U  |
| Audio Bitrate           | 64 Kbps   |
| Two-way Audio           | N/A   |
| Suppression             | Support   |
| Sampling Rate           | 8 kHz   |
| Storage                 |   |
| Edge Storage            | MicroSD, up to 512 GB   |
| Network Storage         | NAS (NFS)   |
| Network                 |   |
| Protocols               | IPv4, IPv6, IGMP, ICMP, ARP, TCP, UDP, DHCP, RTP, RTSP, RTCP, RTMP, DNS, DDNS, NTP, FTP, UPnP, HTTP, HTTPS, SMTP, SSL/TLS, SNMP, QoS, SSH   |
| Compatible Integration  | SDK,<br>API, ONVIF (Profile S, Profile G, Profile T)  |
| User/Host               | Up to 32 users. 2 user levels: administrator and common user  |
| Security                | Password protection, Strong Password, HTTPS encryption, Basic and Digest Authentication for RTSP, Digest Authentication for HTTP, TLS 1.2, WSSE and Digest Authentication for ONVIF, DTLS 1.2, Audit logs, RTP/RTSP over HTTPS, Configuration Encrypted Storage, Configuration Encrypted Export, Digital Watermarking, Gateway ARP Binding, Digest SHA256 Authentication for HTTP, Digest SHA256 Authentication for RTSP, IP Filtering, HTTPS |
| Client                  | EZStation, APP  |
| Web Browser             | Plug-in free live view: Chrome 57+, Firefox 58+, Edge 16+   |
| Interface               |   |





|                      |  |
|----------------------|--|
| Audio I/O            | N/A  |
| Alarm I/O            | N/A  |
| Serial Port          | N/A  |
| Built-in Mic         | Support  |
| Built-in Speaker     | N/A  |
| WIFI                 | N/A  |
| Network              | 1 × RJ45 10 M/100 M Base-TX Ethernet   |
| Video Output         | N/A  |
| <b>Certification</b> |  |
| EMC                  | CE-EMC (EN 55032, EN 61000-3-3, EN IEC 61000-3-2, EN 50130-4)<br>FCC (FCC 47 CFR part15 B) |
| Safety               | CE LVD (EN 62368-1)<br>UL/CUL (UL 62368-1, CAN/CSA C22.2 No. 62368-1)                      |
| Environment          | CE-RoHS (2011/65/EU;(EU)2015/863); WEEE (2012/19/EU);                                      |
| Protection           | IP67 (IEC 60529)<br>IK10 (IEC 62262)   |
| <b>General</b>       |  |
| Power                | DC 12 V±25%, PoE (IEEE 802.3af)  |
| Power Consumption    | Max 5.5 W  |
| Power Interface      | Ø5.5 mm coaxial power plug   |
| Dimensions           | Ø111.2 mm × 72.6 mm (Ø4.4" × 2.9") (Ø × H)   |
| Weight               | 0.36kg (0.79lb)  |
| Material             | Metal + Plastic  |
| Working Environment  | -30 °C to 60 °C (-22 °F to 140 °F), Humidity: ≤ 95% RH (non-condensing)                    |
| Storage Environment  | -40 °C to 70 °C (-40 °F to 158 °F), Humidity: ≤ 95% RH (non-condensing)                    |
| Surge Protection     | 4 KV   |
| Reset Button         | Support  |
| Web Client Language  | 4 Languages: English, Russian, Spanish, Vietnamese   |

# Dimensions



# Accessories

|  |  |   |
|--|--|---|
| <p><b>TR-JB03-G-IN</b></p> <p>Junction Box for Mini Fix-dome(Support wiring from behind)</p> | <p><b>TR-WM03-D-IN-V2</b></p> <p>Wall Mounting Bracket for 32 Fix-dome&amp;Mini Fix-dome&amp;Plastic Turret Camera</p> | <p><b>TR-UM06-E-IN</b></p> <p>Slant Mounting Bracket for Fixed Dome</p>               |
|           |                                     |  |
| <p><b>TR-A01-IN</b></p> <p>NPT 3/4" Waterproof Cable Gland</p>                               | <p><b>TR-UP06-C-IN-V2</b></p> <p>Pole Mounting Bracket for Bullet Junction Box Only</p>                                | <p><b>TR-UC08-C-V2</b></p> <p>Bullet&amp;Dome Corner Mounting Bracket</p>             |
|  |                                     |  |

| <p><b>TR-SE24-IN</b></p>  | <p><b>TR-SE24-A-IN</b></p>  | <p><b>TR-CM24-IN</b></p>  |
|---|---|---|
| <p>Dome Pendant Mounting Pole 200mm</p>   | <p>Dome Pendant Mounting Pole 500mm</p>   | <p>Dome Pendant Mounting Bracket(Indoor)</p>  |
|                            |  |  |
| <p><b>TR-JB07/WM03-G-IN-V2</b></p>  |   |   |
| <p>Wall Mounting Assembling Bracket For 32<br/>Fix-dome&amp;Mini Fix-dome&amp;Plastic Turret<br/>Camera</p> |   |   |
|                            |   |   |

# Unlimited New View

## Zhejiang Uniview Technologies Co., Ltd.



<http://www.uniview.com>



[overseasbusiness@uniview.com](mailto:overseasbusiness@uniview.com); [globalsupport@uniview.com](mailto:globalsupport@uniview.com)



No. 369, Xietong Road, Xixing Sub-district, Binjiang District, Hangzhou City, 310051, Zhejiang Province, China



©2023-2025 Zhejiang Uniview Technologies Co., Ltd. All rights reserved.

\*Product specifications and availability are subject to change without notice.

Despite our best efforts, technical or typographical errors may exist in this document. Uniview cannot be held responsible for any such errors and reserves the right to change the contents of this document without prior notice.