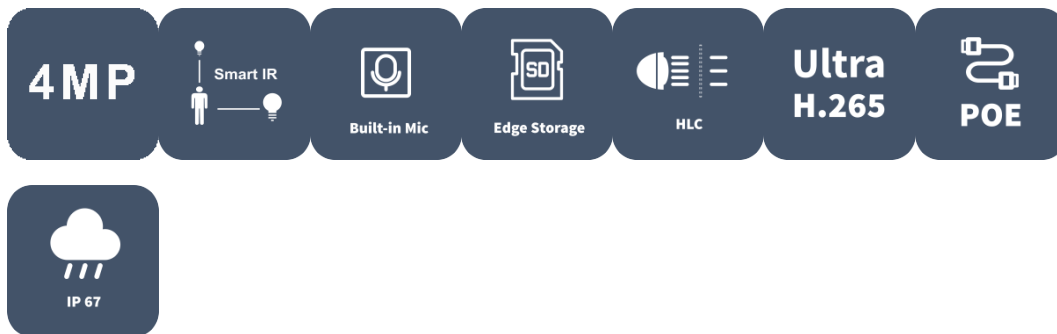


4MP Fixed IR Mini Bullet Network Camera

IPC2124LB-ASF28(40)K-A



Features

- High quality image with 4MP, 1/3.0"CMOS sensor
- 4MP (2560*1440)@25/20fps; 3MP (2304*1296)@30/25fps; 2MP (1920*1080)@30/25fps
- Ultra H.265, H.265, H.264
- Built-in Mic
- Smart IR, up to 30m (98ft) IR distance
- Day/night functionality
- 2D/3D DNR (Digital Noise Reduction)
- Supports Micro SD card
- IP67 protection
- DC12V or PoE(IEEE 802.3af) power supply
- 3-Axis

Specifications

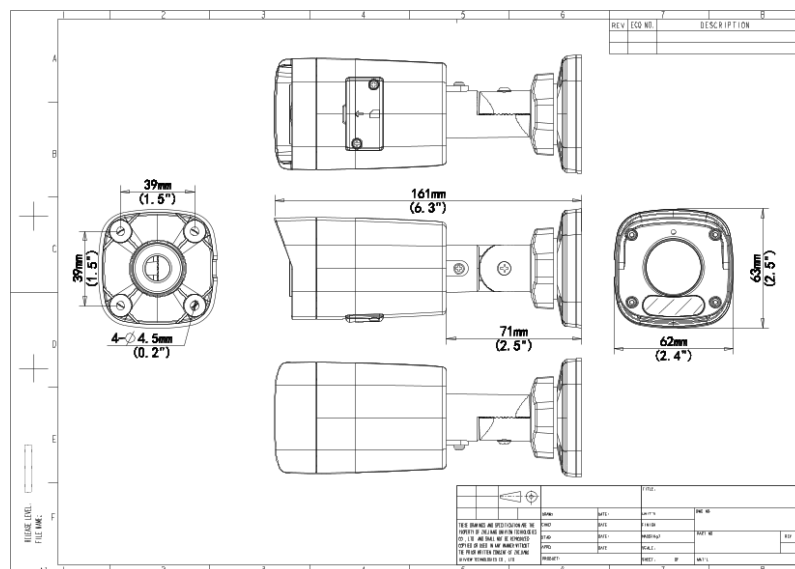
Camera	Description
Max Resolution	IPC2124LB-ASF28K-A:4MP
Sensor	IPC2124LB-ASF28K-A:1/3.0" CMOS
Min. Illumination	IPC2124LB-ASF28K-A:Colour: 0.01 lux (F2.1, AGC ON) 0 lux with IR on
Day/Night	IPC2124LB-ASF28K-A:IR-cut filter with auto switch (ICR)
Shutter	IPC2124LB-ASF28K-A:Auto/Manual, 1 ~ 1/100000s
Adjustment Angle	IPC2124LB-ASF28K-A:Pan: 0° ~ 360°, Tilt: 0° ~ 90°, Rotate: 0° ~ 360°
S/N	IPC2124LB-ASF28K-A:>52dB
WDR	IPC2124LB-ASF28K-A:DWDR
Lens	Description
Focal Length	IPC2124LB-ASF28K-A:2.8 mm
Iris Type	IPC2124LB-ASF28K-A:Fixed
Iris	IPC2124LB-ASF28K-A:F2.1
Field of View (H)	IPC2124LB-ASF28K-A:97.0°
Field of View (V)	IPC2124LB-ASF28K-A:52.2°
Field of View (D)	IPC2124LB-ASF28K-A:107.5°
DORI	Description
DORI Distance (Lens)	IPC2124LB-ASF28K-A:2.8mm
DORI Distance (Detect)	IPC2124LB-ASF28K-A:63.0m(206.7ft)
DORI Distance (Observe)	IPC2124LB-ASF28K-A:25.2m(82.7ft)
DORI Distance (Recognize)	IPC2124LB-ASF28K-A:12.6m(41.3ft)
DORI Distance (Identify)	IPC2124LB-ASF28K-A:6.3m(20.7ft)
Illuminator	Description
Supplemental Light	IPC2124LB-ASF28K-A:IR
Illumination Distance (IR)	IPC2124LB-ASF28K-A:30 m (98.4 ft)
Wavelength	IPC2124LB-ASF28K-A:850 nm
IR On/Off Control	IPC2124LB-ASF28K-A:Auto/Manual
Video	Description
Video Compression	IPC2124LB-ASF28K-A:Ultra 265; H.265; H.264

H.264 Code Profile	IPC2124LB-ASF28K-A:Baseline profile, Main profile, High profile
Frame Rate	IPC2124LB-ASF28K-A:Main Stream: 4MP (2560*1440), Max 25fps; 3MP(2304*1296), Max 25fps;2MP(1920*1080),Max 30fps Sub Stream: D1 (720*576), Max 30fps; 640*360,Max 30fps; 2CIF(704*288), Max 30fps; CIF(352*288), Max 30fps
Video Bit Rate	IPC2124LB-ASF28K-A:128 Kbps ~ 6144 Kbps
U-code	IPC2124LB-ASF28K-A:Support (Main stream)
OSD	IPC2124LB-ASF28K-A:Up to 4 OSDs
Privacy Mask	IPC2124LB-ASF28K-A:Up to 4 areas
ROI	IPC2124LB-ASF28K-A:Support
Video Stream	IPC2124LB-ASF28K-A:Dual Streams
Image	Description
White Balance	IPC2124LB-ASF28K-A:Auto; Outdoor; Fine Tune; Sodium Lamp; Locked; Auto2
Digital Noise Reduction	IPC2124LB-ASF28K-A:2D/3D DNR
Smart IR	IPC2124LB-ASF28K-A:Support
Flip	IPC2124LB-ASF28K-A:Normal; Flip Vertical; Flip Horizontal; 180°
Dewarping	IPC2124LB-ASF28K-A:N/A
HLC	IPC2124LB-ASF28K-A:Support
BLC	IPC2124LB-ASF28K-A:Support
Defog	IPC2124LB-ASF28K-A:Digital Defog
Events	Description
Basic Detection	IPC2124LB-ASF28K-A:Motion Detection; Tampering Alarm; Audio Detection
General Function	IPC2124LB-ASF28K-A:Watermark; IP Address Filtering; Access Policy; ARP Protection; RTSP Authentication; User Authentication; HTTP Authentication
Audio	Description
Audio Compression	IPC2124LB-ASF28K-A:G.711U; G.711A
Audio Bitrate	IPC2124LB-ASF28K-A:64 Kbps
Two-way Audio	IPC2124LB-ASF28K-A:N/A
Suppression	IPC2124LB-ASF28K-A:Support
Sampling Rate	IPC2124LB-ASF28K-A:8 KHz
Storage	Description
Edge Storage	IPC2124LB-ASF28K-A:Micro SD, up to 512 GB

Network	Description
Protocols	IPC2124LB-ASF28K-A:IPv4; IGMP; ICMP; ARP; TCP; UDP; DHCP; RTP; RTSP; RTCP; RTMP; DNS; DDNS; NTP; FTP; UPnP; HTTP; HTTPS; QoS; SSL/TLS; SMTP; SNMP
Compatible Integration	IPC2124LB-ASF28K-A:ONVIF (Profile S, Profile T) ; API; SDK
User/Host	IPC2124LB-ASF28K-A:Up to 32 users. 3 user levels: administrator, common user and operator
Security	IPC2124LB-ASF28K-A>Password Protection; Strong Password; HTTPS Encryption; Export Operation Logs; Basic and Digest Authentication for RTSP; Digest Authentication for HTTP; WSSE and Digest Authentication for ONVIF
Client	IPC2124LB-ASF28K-A:UNV-Link; UNV-Link Pro; EZStation
Web Browser	IPC2124LB-ASF28K-A:Plug-in required live view: IE 10 and above, Chrome 45 and above, Firefox 52 and above, Edge 79 and above; Plug-in free live view: Chrome 57.0 and above, Firefox 58.0 and above, Edge 16 and above
Interface	Description
Audio I/O	IPC2124LB-ASF28K-A:N/A
Alarm I/O	IPC2124LB-ASF28K-A:N/A
Serial Port	IPC2124LB-ASF28K-A:N/A
Built-in Mic	IPC2124LB-ASF28K-A:Support
Built-in Speaker	IPC2124LB-ASF28K-A:N/A
WIFI	IPC2124LB-ASF28K-A:N/A
Network	IPC2124LB-ASF28K-A:1 x RJ45 10M/100M Base-TX Ethernet
Video Output	IPC2124LB-ASF28K-A:N/A
Certification	Description
EMC	IPC2124LB-ASF28K-A:CE-EMC (EN 55032, EN 61000-3-3, EN IEC 61000-3-2, EN 55035) FCC (FCC 47 CFR part15 B)
Safety	IPC2124LB-ASF28K-A:CE LVD (EN 62368-1) UL/CUL (UL 62368-1, CAN/CSA C22.2 No. 62368-1)
Environment	IPC2124LB-ASF28K-A:CE-RoHS (2011/65/EU;(EU)2015/863); WEEE (2012/19/EU);
Protection	IPC2124LB-ASF28K-A:IP67 (IEC 60529)
General	Description
Power	IPC2124LB-ASF28K-A:DC 12V±25%, PoE (IEEE 802.3af)
Power Interface	IPC2124LB-ASF28K-A:Ø 5.5 mm coaxial power plug
Dimensions	IPC2124LB-ASF28K-A:161 × 63 × 62mm (6.4" × 2.5" × 2.4") (L x W x H)

Weight	IPC2124LB-ASF28K-A:0.33kg(0.73lb)
Material	IPC2124LB-ASF28K-A:Graphene + Plastic
Working Environment	IPC2124LB-ASF28K-A:-30 °C ~ 60 °C (-22 °F ~ 140 °F), Humidity: ≤95% RH (non-condensing)
Storage Environment	IPC2124LB-ASF28K-A:-30 °C ~ 60 °C (-22 °F ~ 140 °F), Humidity: ≤95% RH (non-condensing)
Surge Protection	IPC2124LB-ASF28K-A:4KV
Reset Button	IPC2124LB-ASF28K-A:N/A
Web Client Language	IPC2124LB-ASF28K-A:1 Language English

Dimensions



Accessories

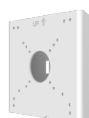
TR-JB05-A-IN

Small Bullet Junction Box(Support wiring from behind,Square)



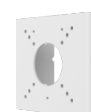
TR-UP06-C-IN

Pole Mounting Bracket for Bullet Junction Box Only



TR-UP06-B-IN

Bullet Pole Mounting Bracket



TR-A01-IN

NPT 3/4" Waterproof Cable Gland



TR-UC08-C

Bullet&Dome Corner Mounting Bracket



Zhejiang Uniview Technologies Co., Ltd.

No. 369, Xietong Road, Xixing Sub-district, Binjiang District, Hangzhou City, 310051, Zhejiang Province, China

Email: overseasbusiness@uniview.com; globalsupport@uniview.com

<http://www.uniview.com>

©2023-2024 Zhejiang Uniview Technologies Co., Ltd. All rights reserved.

*Product specifications and availability are subject to change without notice.

*Despite our best efforts, technical or typographical errors may exist in this document. Uniview cannot be held responsible for any such errors and reserves the right to change the contents of this document without prior notice.