

Network Video Recorder

NVR301-08E-IQ



Features

- Support Ultra H.265/H.265/H.264 video formats
- Support 8-channel input
- Support 1-ch HDMI, 1-ch VGA. HDMI up to 4K (3840x2160) resolution
- Support HDMI and VGA simultaneous output
- Support up to 12 Megapixels resolution recording
- Support SeekFree function: up to 8-ch with UNV Face/SIP/UMD IPC
- Support ANR technology to enhance the storage reliability when the network is disconnected
- Support cloud upgrade

Specifications

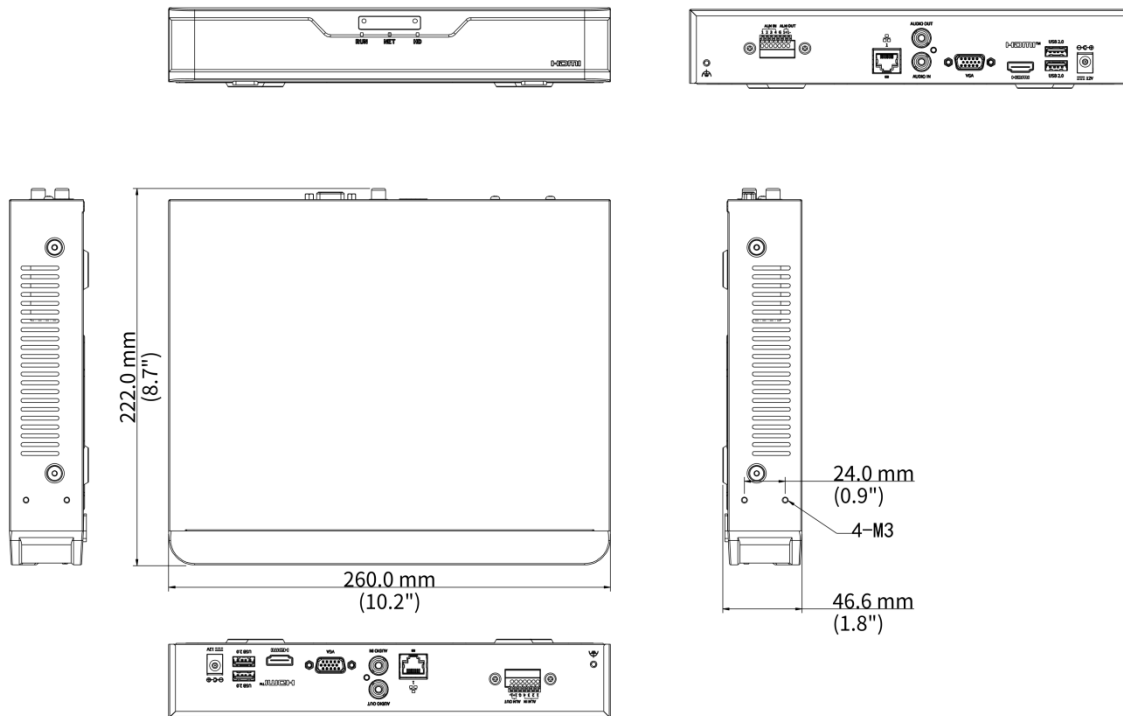
Model	NVR301-08E-IQ
Decoding	
Decoding Capability	Smart Off: 1 x 12MP@30, 2 x 4K@30, 4 x 4MP@30, 8 x 1080P@30 Smart On: 2 x 4K@30, 4 x 4MP@30, 8 x 1080P@30
Decoding Capability Description	The resolution of each channel cannot exceed 8192 pixels in length and 4096 pixels in width
Audio Compression	G.711A, G.711U
Network	
Incoming Bandwidth	80 Mbps
Outgoing Bandwidth	80 Mbps
Max Users Can Be Added	32

Max Remote Users	128
Protocols	TCP/IP, P2P, SMTP, NFS, RTSP, UPnP, NTP, DHCP, PPPoE, DNS, HTTP, DDNS, IPv6, IPv4, HTTPS
Browser (Plugin)	Chrome 45+, Edge 79+, Firefox 52+
Browser (Plugin-Free)	Chrome 57+, Edge 16+, Firefox 58+, Safari 11+
Video/Audio Input	
IP Video Input	8-ch
RCA Audio Input	1-ch
Peripheral Input	
Ip Speaker	16-ch
POS	All channels
Video/Audio Output	
Video Output	Support 1-ch HDMI, 1-ch VGA, HDMI and VGA simultaneous output
HDMI Output	4K (3840 × 2160)/30 Hz, 1920 × 1080/60 Hz, 1920 × 1080/50 Hz, 1280 × 720/60 Hz,
VGA Output	1920 × 1080/60 Hz, 1920 × 1080/50 Hz, 1280 × 720/60 Hz
HDMI Standard	HDMI1.4
RCA Audio Output	1-ch
Liveview Display	1/4/6/8/9
Default Num of Live Screen	9
Corridor Mode Screen	3/4/5/7/9
Playback Screen	1/4/9
Corridor Mode Screen of Playback	1/3
Two-way Audio	
Two-way Audio	1-ch, RCA (Using the audio input and output)
Snapshot	
FTP/Schedule/Event Snapshot	4-ch snapshot (max. 3072 × 2048 video resolution, with D1 snapshot resolution)
Recording	
Recording Resolution	12 MP/8 MP/6 MP/5 MP/4 MP/3 MP/1080P/960P/720P/D1/2CIF/CIF
Num of Concurrent Playback	16-ch
Synchronous Playback in Local	8-ch
Smart Function	
Smart by IPC	All channels (up to 8 images/s in total) Face Detection, Face Comparison, Vehicle Detection (LPR), Temperature Detection, SIP, UMD, Video Metadata, Traffic Monitoring
Smart by NVR	Face Detection, Face Comparison, Smart Intrusion Prevention (SIP), Ultra Motion Detection (UMD)
Smart by NVR Analyzer Mode	Single Mode (Face Recognition), Single Mode (SIP), Single Mode (UMD), Single Mode (AcuSearch/AcuTrack), Modes cannot active simultaneously, only one mode can active at a time.
VCA Search	Face Snapshot Search, Face Comparison Search, Motor Vehicle Search, Non-Motor Vehicle Search, Human Body Search, General Search, People Counting Report, Heat Map
AcuSearch	

Acu Search Performance	All channels with UNV SIP/UMD Camera
AcuTrack	
Acu Track Performance	All channels with UNV SIP/UMD Camera
SeekFree	
SeekFree Performance	All channels with UNV SIP/UMD Camera
SeekFree Language	English
face detection	
face detection by NVR	Up to 4-ch with UNV Face Detection Camera, Up to 1-ch with normal camera (UNV and Third-part brand, 1-ch 2MP)
Search by Image	Support
Plate Comparison	
Vehicle Number Library	Up to 5 vehicle picture libraries, with up to 25,000 vehicle pictures in total
SIP	
SIP by NVR with normal cameras	Up to 2-ch with normal camera (UNV and Third-part brand, 2-ch 2MP, 1-ch 4MP)
UMD	
UMD by NVR with normal cameras	Up to 4-ch with normal camera (UNV and Third-part brand, 4-ch 2MP, 2-ch 4MP, 1-ch 4K)
Capacity of Smart Snapshots	
Capacity of Snapshot Records	500 thousand records for face snapshot, 500 thousand records for vehicle snapshot, 500 thousand records for SIP
Alarm	
General Alarm	Defocus Detection, Scene Change Detection, Object Left Behind, Object Removed, Auto Tracking, Motion Detection, Tampering, Human Body Detection, Video Loss, Audio Detection, Alarm Input
Alert Alarm	IP Conflict, Network Disconnected, Disk Offline, Disk Abnormal, Illegal Access, Hard Disk Space Low, Hard Disk Full, Recording/Snapshot Abnormal
GUI Language	
GUI Language	38 languages: Simplified Chinese, Traditional Chinese, English, Vietnamese, Thai, Turkish, Spanish (Latin America), Portuguese (Brazil), Spanish, Portuguese, French, German, Italian, Dutch, Polish, Czech, Hungarian, Slovak, Russian, Hebrew, Arabic, Ukrainian, Estonian, Bulgarian, Greek, Romanian, Danish, Swedish, Norwegian, Finnish, Croatian, Slovenia, Serbia, Korean, Japanese, Latvian, Lithuanian, Persian
Hard Disk	
SATA	1 SATA Interface
Capacity	Up to 24 TB for each HDD (The maximum HDD capacity varies with environment temperature and hard disk size, The environment temperature for use should not exceed 40°C.)
External Interface	
Network Interface	1 RJ45 10 M/100 M self-adaptive Ethernet Interface
Network Working Mode	Single port, not involved
USB	Rear panel: 2 × USB2.0
Alarm In	4-ch
Alarm Out	1-ch
Buzzer	Support

Power Supply	DC 12 V/2 A
Working Environment	
Working Temperature	-10 °C to 50 °C (14 °F to 122 °F)
Working Humidity	≤ 95% RH (non-condensing)
Power Consumption (without HDD)	≤ 15W
Heat Dissipation	Radiator
Dimensions	
Weight (without HDD)	≤ 0.98Kg (2.17lb)
Height	1U
Dimensions	260mm x 215mm x 46.6mm (10.2"×8.5"×1.8")
Certification	
Certification	CE; FCC; UL; RoHS; WEEE
CE	EN 55032, EN 61000-3-3, EN IEC 61000-3-2, EN 50130
FCC	Part15 Subpart B

Dimensions



Unlimited New View

Zhejiang Uniview Technologies Co., Ltd.



<http://www.uniview.com>



overseasbusiness@uniview.com; globalsupport@uniview.com



No. 369, Xietong Road, Xixing Sub-district, Binjiang District, Hangzhou City, 310051, Zhejiang Province, China



©2023-2025 Zhejiang Uniview Technologies Co., Ltd. All rights reserved.

*Product specifications and availability are subject to change without notice.

Despite our best efforts, technical or typographical errors may exist in this document. Uniview cannot be held responsible for any such errors and reserves the right to change the contents of this document without prior notice.