

# 4 x 5MP MultiView Wise-ISP VF IR Dome Network Camera

IPC8645EA-ADZKM-I1



## Features

- One IP with four channels
- Support multiple intelligent functions, different functions of each channel can be enabled at the same time to satisfy various analysis requirements
- Pan, tilt, rotation angle of each lens can be adjusted independently, suitable for more complicated scenes
- 4 channel video output, 2880 × 1620@30 fps in the main stream of each channel, provide high definition image
- Ultra 265, H.265, H.264, MJPEG
- Smart intrusion prevention, support false alarm filtering, realize accurate detection based on specific targets
- People Counting, support people flow counting and crowd density monitoring, suitable for different statistical scenarios
- Lighthunter technology ensures ultra-high image quality in low illumination environments
- Up to 130 dB Optical WDR (Wide Dynamic Range)
- IP67 ingress & IK10 protection

## Specifications

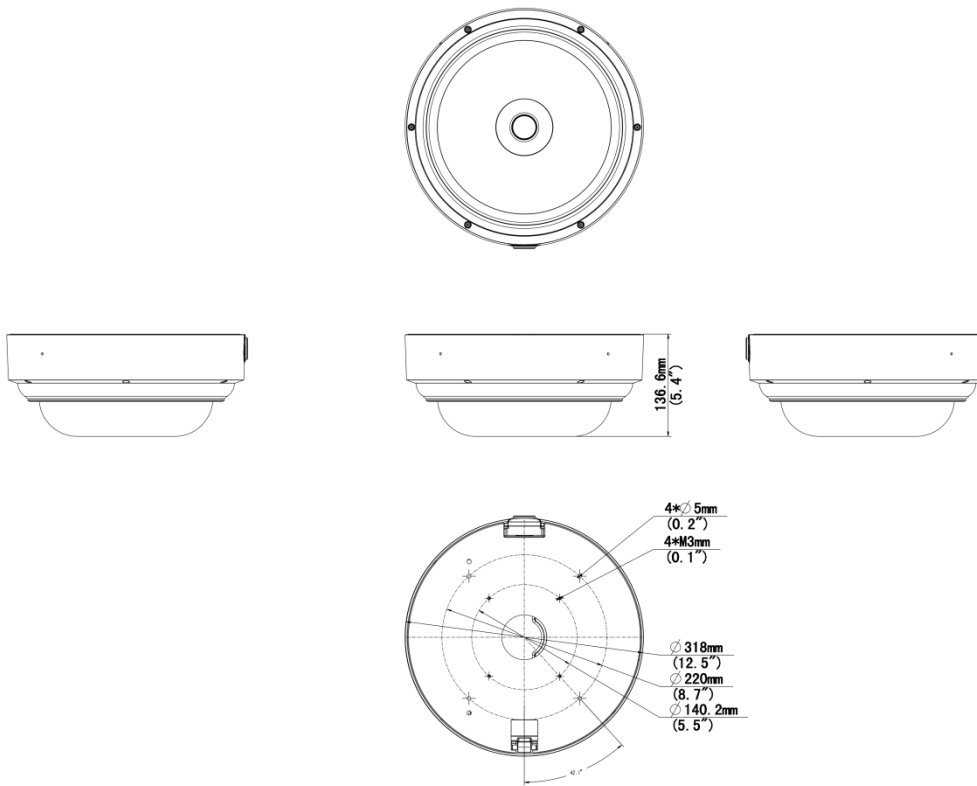
Model	IPC8645EA-ADZKM-I1
Camera	
Sensor	1/2.7" CMOS

Min. Illumination	Colour: 0.002 lux (F1.2, AGC ON) 0 lux with IR on
Day/Night	IR-cut filter with auto switch (ICR)
WDR	130 dB
Adjustment Angle	Pan: 0° ~ 360°, Tilt: 0° ~ 65°, Rotate: 0° ~ 355°
S/N	>56 dB
<b>Lens</b>	
Focal Length	2.7 to 13.5 mm
Optical Zoom	5X
Iris	F1.2 * 4
Field of View (H)	(W)110.3°~(T)31°
Field of View (V)	(W)57.1°~(T)17.5°
Field of View (D)	(W)143.4°~(T)38.1°
Iris Type	Fixed
<b>DORI</b>	
DORI Distance (Detect)	70.9m~247.5m(232.5ft~812.0ft)
DORI Distance (Observe)	28.4m~99.0m(93.0ft~324.8ft)
DORI Distance (Recognize)	14.2m~49.5m(46.5ft~162.4ft)
DORI Distance (Identify)	7.1m~24.8m(23.3ft~81.2ft)
<b>Illuminator</b>	
Illumination Distance (IR)	50 m (164.0 ft)
IR On/Off Control	Auto/Manual
<b>Intelligent</b>	
Exception Detection	Scene Change, Defocus Detection, Object Removed, Object Left Behind
Smart Intrusion Prevention	Cross line detection, intrusion detection, enter area detection, leave area detection (support false alarm filtering and the classification of human, non-motor vehicle and vehicle)
People Counting	Support People Flow Counting and Crowd Density Monitoring
<b>Events</b>	
Motion Detection	Support
Tampering Detection	Support
Audio Detection	Support
UMD (Ultra Motion Detection)	Support
<b>Image</b>	
Flip	Normal, Flip Vertical, Flip Horizontal, 180°, 90° Clockwise, 90° Anti-clockwise
Defog	Digital Defog
<b>Network</b>	
Protocols	IPv4, IPv6, IGMP, ICMP, ARP, TCP, UDP, DHCP, PPPoE, RTP, RTSP, RTCP, RTMP, DNS, DDNS, NTP, FTP, UPnP, HTTP, HTTPS, SMTP, 802.1x, SNMP, QoS, SSL/TLS, SSH
Compatible Integration	ONVIF (Profile S, Profile G, Profile T, Profile M), API, SDK
User/Host	Up to 32 users. 3 user levels: administrator, common user and operator

Security	Password protection, Strong password, HTTPS encryption, Export operation logs, Basic and Digest Authentication for RTSP, Digest Authentication for HTTP, TLS 1.2, WSSE and Digest Authentication for ONVIF
Web Browser	Plug-in required live view: IE 10+, Chrome 45+, Firefox 52+, Edge 79+, Plug-in free live view: Chrome 57+, Firefox 58+, Edge 16+
<b>Storage</b>	
Edge Storage	Micro SD, up to 512 GB
Network Storage	ANR, NAS (NFS)
<b>Video</b>	
Video Compression	Ultra 265, H.265, H.264, MJPEG
H.264 Code Profile	Baseline profile, Main profile, High profile
Frame Rate-Main Stream	Channel * 4 5MP (2880*1620), Max 30fps; 4MP (2688*1520), Max 30fps; 4MP (2560*1440), Max 30fps; 3MP (2304*1296), Max 30fps; 1080P (1920*1080), Max 30fps; 720P (1280*720), Max 30fps; D1 (720*576), Max 30fps; 640*360, Max 30fps; 2CIF(704*288), Max 30fps; CIF(352*288), Max 30fps;
Frame Rate-Sub Stream	Channel * 4 1080P (1920*1080), Max 30fps; 720P (1280*720), Max 30fps; D1 (720*576), Max 30fps; 640*360, Max 30fps; 2CIF(704*288), Max 30fps; CIF(352*288), Max 30fps;
Frame Rate-Third Stream	Channel * 4 D1 (720*576), Max 30fps; 640*360,Max 30fps; 2CIF(704*288), Max 30fps; CIF(352*288), Max 30fps;
Frame Rate Recommendation	Channel * 4 2880*1620@30fps+1080P@30fps+D1@30fps
Video Bit Rate	128 Kbps ~ 16 Mbps * 4Channel
U-code	Support
ROI	Support
Video Stream	Triple streams
OSD	Up to 10 OSDs * 4 Channel
Privacy Mask	Up to 8 * 4Channel
<b>Audio</b>	
Audio Compression	G.711U, G.711A

Two-way Audio	Support
Sampling Rate	8 kHz
<b>Interface</b>	
Audio I/O	1 Input: impedance 1 k $\Omega$ , amplitude 2.5 V [p-p], 1 Output: impedance 600 $\Omega$ , amplitude 2.5 V [p-p]
Alarm I/O	3/2
Built-in Mic	Support
Network	1 $\times$ RJ45 10 M/100 M/1000 M Base-TX Ethernet
<b>Other</b>	
Corridor Mode	Support
<b>Certification</b>	
Protection	IP67 (IEC 60529), IK10 (IEC 62262)
<b>General</b>	
Power	DC 24V $\pm$ 25%, AC 24V $\pm$ 25%, PoE (IEEE802.3bt)
Built-in DC12V Output	Support
Power Consumption	Max 31W
Power Interface	Wires with cold-pressed terminal
Dimensions	$\Phi$ 318 x 136.6 mm ( $\Phi$ 12.52" x 5.38")( $\Phi$ x H)
Weight	4.77Kg ( 10.52lb )
Working Environment	-30 $^{\circ}$ C ~ 60 $^{\circ}$ C (-22 $^{\circ}$ F ~ 140 $^{\circ}$ F), Humidity: 5%~95% RH
Storage Environment	-40 $^{\circ}$ C ~ 70 $^{\circ}$ C (-40 $^{\circ}$ F ~ 158 $^{\circ}$ F), Humidity: 5%~95% RH
Surge Protection	6 KV

## Dimensions



## Accessories

TR-UF45-K-IN

Four Eyes Multi-directional Camera Ceiling Mounting/Wall Mounting Adapter



TR-WE45-A-IN

Long Wall Mounting Bracket for Dome



TR-CE45-IN

Dome Indoor Ceiling Mounting Bracket



TR-UC08-A-IN

Dome Corner Mounting Bracket



TR-WE45-B-IN

Dome Gooseneck Bracket



TR-UC08-B-IN

Aluminium Alloy Corner Mounting Bracket



TR-UP08-A-IN

Dome Pole Mounting Bracket



TR-UP08-B-IN

Aluminium Alloy Pole Mounting Bracket



**Zhejiang Uniview Technologies Co., Ltd.**

No. 369, Xietong Road, Xixing Sub-district, Binjiang District, Hangzhou City, 310051, Zhejiang Province, China (Zhejiang) Pilot Free Trade Zone, China

Email: [overseasbusiness@uniview.com](mailto:overseasbusiness@uniview.com); [globalsupport@uniview.com](mailto:globalsupport@uniview.com)

<http://www.uniview.com>

©2024-2025 Zhejiang Uniview Technologies Co., Ltd. All rights reserved.

\*Product specifications and availability are subject to change without notice.

\*Despite our best efforts, technical or typographical errors may exist in this document. Uniview cannot be held responsible for any such errors and reserves the right to change the contents of this document without prior notice.