

# 12MP Parking Space Detection & License Plate Recognition Fisheye Camera

## PKC17C0@6-C-LP



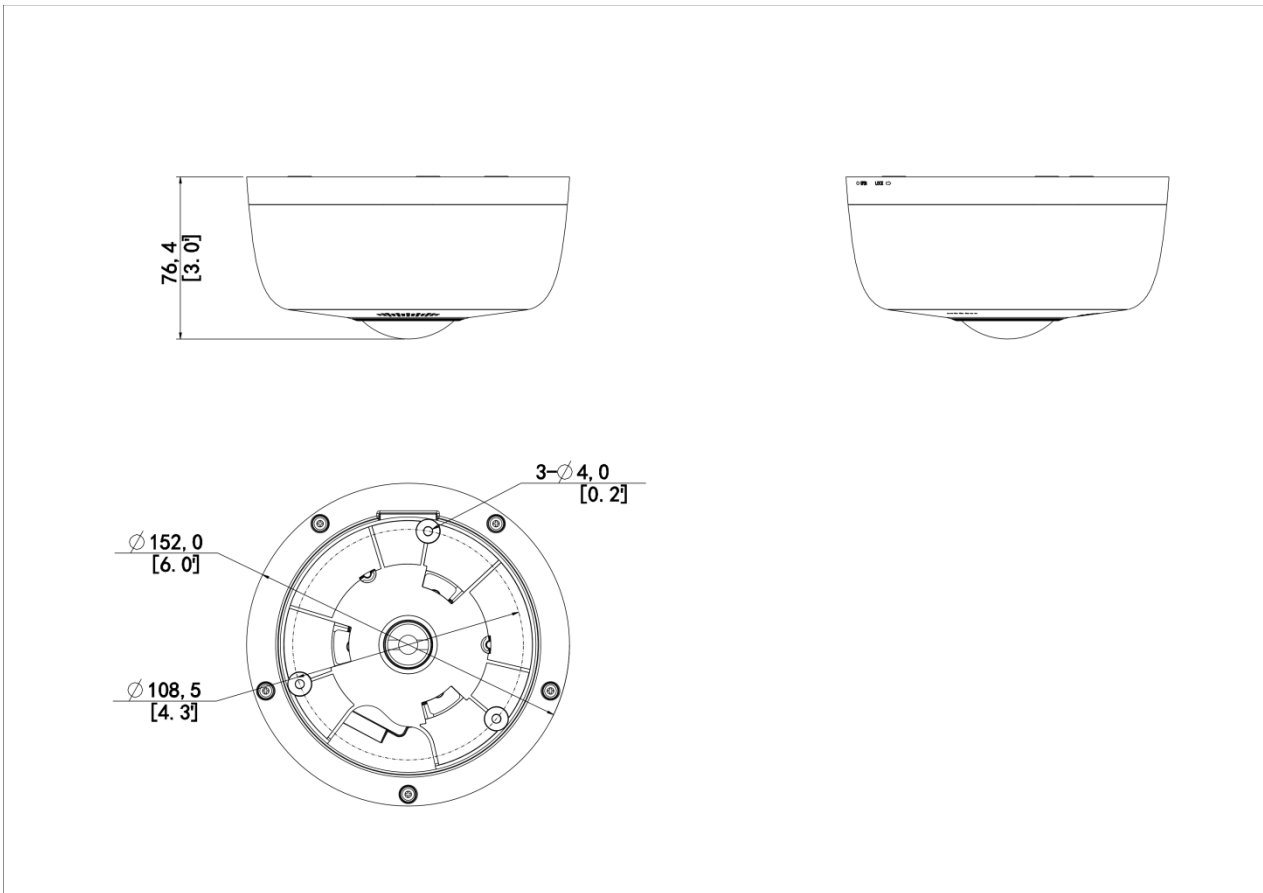
## Features

- Features
- Optics
  - Built-in 1.8mm fixed-focal lens and F2.0 aperture.
- Compression
  - Supports main stream, sub stream, and third stream video output.
  - Advanced H.265 encoding technology improves compression efficiency.
  - Custom OSD allows various vehicle information to be overlaid on the video image.
- Smart
  - Built-in intelligent vehicle algorithm.
  - Supports motion detection, tampering detection, and alarm-triggered actions.
- Structure
  - PoE (802.3at) power supply.
  - 7-color indicator allows to configure idle, busy, and alarm scenarios.
  - Built-in mic and speaker.
  - IP67 protection。

# Specifications

Model	PKC17C0@6-C-LP
<b>Camera</b>	
Sensor	1/1.7" 12MP CMOS
Focal length	1.8mm
Shutter	1/100000 to 1/25s
Minimum illumination	0.03lux
Lens type	Fixed-focal lens
Iris	F2.0
FOV	180°
<b>Display Parameters</b>	
Resolution	Main stream: 3840*2160; Sub stream: 3280*2464, 2000*2000; Third stream: 720*576 (D1), 352*288 (CIF)
<b>Image</b>	
Frame rate	20, 18, 16, 15, 12, 10, 8, 6, 5, 4, 3, 2, 1
Video compression	H.264 (default), H.265
ROI	Support, up to 8 areas
Video OSD	Supports custom OSD on live view and image
Image OSD	Supports custom OSD on live view and image
Privacy mask	Support, up to 4 areas
<b>Interface</b>	
Network interface	1 x 1000M/100M/10M adaptive Ethernet copper port
Serial port	1 xRS485
Boolean output	1 x alarm output
Boolean input	2 x alarm input
Audio interface	1 x audio output, 1 x audio input
Built-in mic	Support
Built-in speaker	Support
BNC	Support
<b>Service Config</b>	
Third-party server	Two photo servers via HTTP, VIID, and FTP protocols; MQTT server via MQTT protocol
<b>Smart</b>	
Parking space detection	Supports detecting 6 parking spaces and recognizing 6 license plates
Parking space detection rate	99%
<b>Structure</b>	
Indicator	7-color LED indicator, displays the parking space status
Mount method	Adapter panel
<b>General</b>	
Power supply	DC 12V ±25%, PoE (802.3at)
Weight	690g
Ingress protection	IP67

# Dimensions



# Unlimited New View

## Zhejiang Uniview Technologies Co., Ltd.



<http://www.uniview.com>



[overseasbusiness@uniview.com](mailto:overseasbusiness@uniview.com); [globalsupport@uniview.com](mailto:globalsupport@uniview.com)



No. 369, Xietong Road, Xixing Sub-district, Binjiang District, Hangzhou City, 310051, Zhejiang Province, China



©2023-2025 Zhejiang Uniview Technologies Co., Ltd. All rights reserved.

\*Product specifications and availability are subject to change without notice.

Despite our best efforts, technical or typographical errors may exist in this document. Uniview cannot be held responsible for any such errors and reserves the right to change the contents of this document without prior notice.