

Analog Kit

KIT/XVR301-04G3/4*UAC-T112-F28

KIT/XVR301-04G3/4*UAC-T112-F28



Features

XVR301-04G3

- Support H.265/H.264 video formats
- Support audio over coaxial cable(only for TVI cameras)
- Support TVI, AHD, CVI, CVBS, IP cameras with adaptive access
- 4-channel BNC input
- Support 1-ch HDMI output, 1-ch VGA output at up to 1920*1080
- HDMI and VGA simultaneous output
- Long transmission distance over coaxial cable
- Support mainstream cameras of ONVIF and RTSP protocols

UAC-T112-F28

- 2MP high quality image
- TVI/AHD/CVI/CVBS
- IR-cut filter with auto switch (ICR)
- Supports 180 horizontal flip, 180 vertical flip
- OSD configuration menu, easy to operate
- IP67 waterproof and dustproof design, high reliability
- OSD configuration menu in 11 languages

- 3-Axis

Specifications

XVR301-04G3

Video/Audio Input	Description
IP Video Input	XVR301-04G3:2-ch XVR301-08G3/XVR301-08G3-NB:4-ch XVR301-16G3/XVR301-16G3-NB:8-ch
Analog Video Input	XVR301-04G3:4-ch, BNC XVR301-08G3/XVR301-08G3-NB:8-ch, BNC XVR301-16G3/XVR301-16G3-NB:16-ch, BNC
Max IP Video Input	XVR301-04G3:6-ch XVR301-08G3/XVR301-08G3-NB:8-ch XVR301-16G3/XVR301-16G3-NB:16-ch
Supported Analog Camera Types	<p>XVR301-04G3:Support AHD input: 5MP@20fps 4MP@30fps 1080P@30fps 720P@30fps Support TVI input: 5MP@20fps 4MP@30fps 1080P@30fps 720P@30fps Support CVI input: 5MP@20fps 4MP@30fps 1080P@30fps 720P@30fps Support CVBS input</p> <p>XVR301-08G3/XVR301-08G3-NB:Support AHD input: 5MP@12.5fps 4MP@15fps 1080P@30fps 720P@30fps Support TVI input: 5MP@12.5fps 4MP@15fps 1080P@30fps 720P@30fps Support CVI input: 4MP@15fps 1080P@30fps 720P@30fps Support CVBS input</p> <p>XVR301-16G3/XVR301-16G3-NB:Support AHD input: 5MP@12.5fps 4MP@15fps 1080P@30fps 720P@30fps Support TVI input: 5MP@12.5fps 4MP@15fps</p>

	1080P@30fps 720P@30fps Support CVI input: 1080P@30fps 720P@30fps Support CVBS input
RCA Audio Input	1-ch
Video/Audio Output	Description
HDMI Output	HDMI:1920x1080/60Hz, 1920x1080/50Hz, 1600x1200/60Hz, 1280x1024/60Hz, 1280x720/60Hz, 1024x768/60Hz
VGA Output	XVR301-04G3/XVR301-08G3/XVR301-16G3:VGA:1920x1080/60Hz, 1920x1080/50Hz, 1600x1200/60Hz, 1280x1024/60Hz, 1280x720/60Hz, 1024x768/60Hz XVR301-08G3-NB/XVR301-16G3-NB:VGA: 1920x1080p/60Hz, 1920x1080p/50Hz, 1600x1200/60Hz, 1280x1024/60Hz, 1280x720/60Hz, 1024x768/60Hz
RCA Audio Output	1-ch
Live View Display	XVR301-04G3:HDMI/VGA: 1/4/6/8/9 XVR301-08G3/XVR301-08G3-NB:HDMI/VGA: 1/4/6/8/9/16 XVR301-16G3/XVR301-16G3-NB:HDMI/VGA: 1/4/6/8/9/25
Encoding/Decoding	Description
Recording Resolution	XVR301-04G3:5MP Lite/4MP Lite/1080P/720P/D1 XVR301-08G3/XVR301-16G3/XVR301-08G3-NB:5MP Lite/4MP Lite/1080P Lite/720P/D1 XVR301-16G3-NB:5MP Lite/4MP Lite /1080P Lite/720P/D1
Recording Frame Rate	XVR301-04G3:Main stream: 5MP Lite@12fps Sub stream: D1@12fps Main stream: 4MP Lite@15fps Sub stream: D1@15fps Main stream: 1080P@15fps Sub stream: D1@15fps Main stream: 720P@25fps Sub stream: D1@25fps XVR301-08G3/XVR301-16G3/XVR301-08G3-NB/XVR301-16G3-NB:Main stream: 5MP Lite@6fps Sub stream: D1@6fps Main stream: 4MP Lite@8fps Sub stream: D1@8fps Main stream: 1080P Lite@12fps Sub stream: D1@12fps Main stream: 720P@12fps Sub stream: D1@12fps
Audio Sample Rate	8KHz, 16 bit per channel
Audio Bit Rate	64Kbps per channel
Decoding Capability	XVR301-04G3:Analog: 2 x 5MP Lite@12, 2 x 4MP Lite@15, 2 x 1080P@15 IP: 1 x 4MP@30, 2 x 1080P@30 XVR301-08G3/XVR301-08G3-NB:Analog: 4 x 5MP Lite@6,4x 4MP Lite@8, 4x 1080P Lite @12fps IP: 1 x 4MP@30, 2 x 1080P@30 XVR301-16G3/XVR301-16G3-NB:Analog: 8 x 5MP Lite@6, 8 x 4MP Lite@8, 8 x 1080P Lite@12 IP: 1 x 8MP@30, 2 x 4MP@30, 4 x 1080P@30
Two-way Audio	Description
Two-way Audio	1-ch, RCA(Using the audio input and output)
Analog Snapshot	Description
FTP/Schedule/Event Snapshot	XVR301-04G3:FTP/Event snapshot:4-ch snapshot, up to 704*576 resolution, Schedule snapshot:not supported XVR301-08G3/XVR301-08G3-NB:FTP/Event snapshot:8-ch snapshot, up to 704*576 resolution, Schedule snapshot:not supported

	XVR301-16G3/XVR301-16G3-NB:FTP/Event snapshot:16-ch snapshot, up to 704*576 resolution, Schedule snapshot:not supported
Network	Description
Incoming Bandwidth	XVR301-04G3:16Mbps (Up to 24Mbps after all analog channel conversion) XVR301-08G3/XVR301-08G3-NB:32Mbps (Up to 40Mbps after all analog channel conversion) XVR301-16G3:40Mbps (up to 56Mbps after all analog channel conversion) XVR301-16G3-NB:40Mbps (up to 56Mbps after all analog camera conversion)
Outgoing Bandwidth	XVR301-04G3:48Mbps XVR301-08G3/XVR301-16G3/XVR301-08G3-NB/XVR301-16G3-NB:64Mbps
Remote Users	128
Protocols	TCP/IP; P2P; UPnP; DHCP; HTTP; HTTPS; DNS; DDNS; SMTP; NTP
Browser(Plugin)	XVR301-04G3/XVR301-08G3/XVR301-16G3:Windows: IE (IE10/ 11), Firefox (version 52.0 and above), Chrome (version 45 and above), Edge (version 79 and above) XVR301-08G3-NB/XVR301-16G3-NB:IE(IE10/11) Firefox (version 52.0 and above) Chrome(version 45 and above) Edge(version 79 and above)
Smart	Description
Analog Smart by XVR	XVR301-04G3/XVR301-08G3/XVR301-16G3:Ultra Motion Detection(UMD) XVR301-08G3-NB/XVR301-16G3-NB:Ultra Motion Detection(UMD)
Smart Functions by XVR	XVR301-04G3/XVR301-08G3/XVR301-08G3-NB:4-ch(UMD) XVR301-16G3/XVR301-16G3-NB:8-ch(UMD)
Alarm	Description
General Alarm	XVR301-04G3/XVR301-08G3/XVR301-16G3:Motion
Alert Alarm	IP Conflict; Network Disconnected; Disk offline; Disk Abnormal; Illegal Access; Hard Disk Space Low; Hard Disk Full; Recording/Snapshot Abnormal
GUI Language	Description
GUI Language	20 languages: English, Vietnamese, Thai, Turkish, Spanish (Latin America), Portuguese (Brazil), Spanish, Portuguese, French, German, Italian, Dutch, Polish, Czech, Hungarian, Slovak, Russian, Hebrew, Arabic, Ukrainian
Hard Disk	Description
SATA	1 SATA interface
Capacity	Up to 16TB for each HDD(The maximum HDD capacity varies with environment temperature)
External Interface	Description
Network Interface	1 RJ45 10M/100M self-adaptive Ethernet Interface
USB	Rear panel: 2 x USB2.0
Power Supply	DC 12V/2A
Working Environment	Description
Working Temperature	-10 °C ~ 55 °C (14 °F ~ 131 °F)
Working Humidity	≤ 90% RH(non-condensing)
Power Consumption (without HD D)	XVR301-04G3/XVR301-08G3/XVR301-08G3-NB:≤ 8W XVR301-16G3/XVR301-16G3-NB:≤ 10W

Dimensions	Description
Weight (without HDD)	≤1.1 Kg (2.42lb)
Dimensions	260mm × 226mm × 47mm (10.2" × 8.9" × 1.8")
Certification	Description
Certification	CE, FCC, UL, RoHS, WEEE
CE	EN 55032, EN 61000-3-3, EN IEC 61000-3-2, EN 55035
FCC	Part15 Subpart B

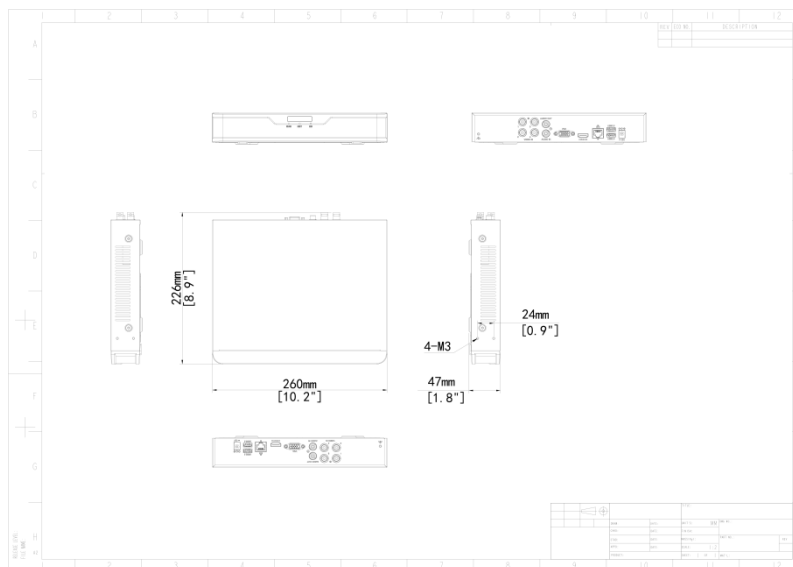
UAC-T112-F28

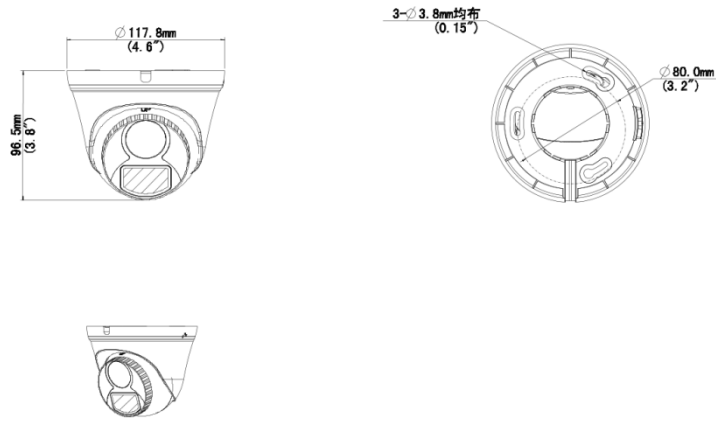
Sensor	Description
Pixel	2MP
Sensor Size	1/3.0" CMOS
Min. Illumination	0.02 lux (F2.0, AGC ON) 0 lux (IR on)
Lens	Description
Focus	UAC-T112-F28:2.8mm UAC-T112-F40:4.0mm
Lens Mount	M12
Angle of View (H)	UAC-T112-F28:90.5° UAC-T112-F40:80.2°
Angle of View (V)	UAC-T112-F28:49.6° UAC-T112-F40:40.7°
Angle of View (D)	UAC-T112-F28:109.5° UAC-T112-F40:90.5°
Illuminator	Description
Illuminator Number	One IR illuminator
Illumination Distance	20m
Lifetime	≥60000 hours
Video	Description
Resolution	1080P: 1920(H) × 1080(V) 720P: 1280(H) × 720(V)
Frame Rate	TVI: 1080P@25fps (default), 1080P@30fps; 720P@25fps, 720P@30fps AHD: 1080P@25fps, 1080P@30fps; 720P@25fps, 720P@30fps CVI: 1080P@25fps, 1080P@30fps; 720P@25fps, 720P@30fps CVBS: PAL, NTSC
Shutter Time	PAL: 1/25s-1/50000s, NTSC: 1/30s-1/50000s
Image	Description
Exposure Mode	Four modes: Global(default), BLC, HLC, DWDR
Day/Night	Three modes: Auto (default), Day, Night
Digital Noise Reduction	2D
White Balance	Two modes: Auto (default), Manual
WDR	DWDR

Smart IR	Support
Flip	Supports 180°horizontal flip, 180°vertical flip
Interface	Description
Power Interface	5.5mm Power Interface
Video Output	BNC, supports TVI/AHD/CVI/CVBS
Operating Environment	Description
Temperature	-30°C to 60°C (-22°F to 140°F)
Humidity	≤95% RH (non-condensing)
Surge Protection	4KV for power; 4KV for video output interfaces
Ingress Protection	IP67
General	Description
Power	DC12V ± 25%
Power Consumption	MAX 2.88W
Mount	Wall Mount; Pole Mount; Corner Mount; Pendant Mount
Dimensions	Φ 118mm*96mm (diameter*height)
Material	Plastic
Weight	182g(0.401lb)

Dimensions

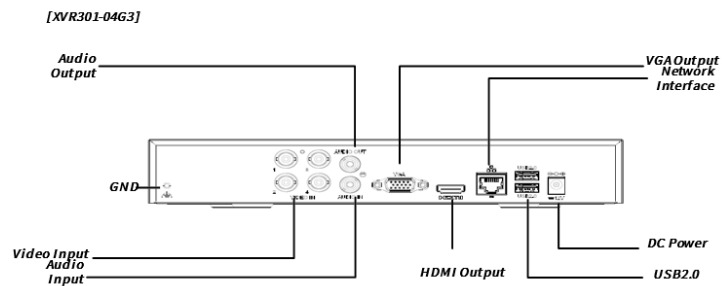
KIT/XVR301-04G3/4*UAC-T112-F28





Rear Panel

KIT/XVR301-04G3/4*UAC-T112-F28



Zhejiang Uniview Technologies Co., Ltd.

No. 369, Xietong Road, Xixing Sub-district, Binjiang District, Hangzhou City, 310051, Zhejiang Province, China

Email: overseasbusiness@uniview.com; globalsupport@uniview.com

<http://www.uniview.com>

©2024 Zhejiang Uniview Technologies Co., Ltd. All rights reserved.

*Product specifications and availability are subject to change without notice.

*Despite our best efforts, technical or typographical errors may exist in this document. Uniview cannot be held responsible for any such errors and reserves the right to change the contents of this document without prior notice.