

# 4MP HD Intelligent LightHunter Cable-free Network IR Fixed Dome Camera

IPC354SB-ADNF28(40)K-I0



## Features

- High quality image with 4MP, 1/2.7"CMOS sensor
- 4MP (2688\*1520)@ 30/25fps; 4MP (2560\*1440)@ 30/25fps; 3MP (2304\*1296) @30/25fps; 2MP (1920\*1080) @30/25fps
- Ultra 265, H.265, H.264, MJPEG
- Smart intrusion prevention, include cross line, intrusion, enter area, leave area detection
- Based on target classification, smart intrusion prevention significantly reduce false alarm caused by leaves, birds and lights etc., accurately focus on human and, motor vehicle and non-motor vehicle
- Intelligent People Flow Counting and Crowd Density Monitoring
- 120dB true WDR technology enables clear image in strong light scene
- Support 9:16 Corridor Mode
- Built-in Mic
- Smart IR, up to 30m (98 ft) IR distance

- Supports 512 G Micro SD card
- Cable-free
- Support PoE power supply

## Specifications

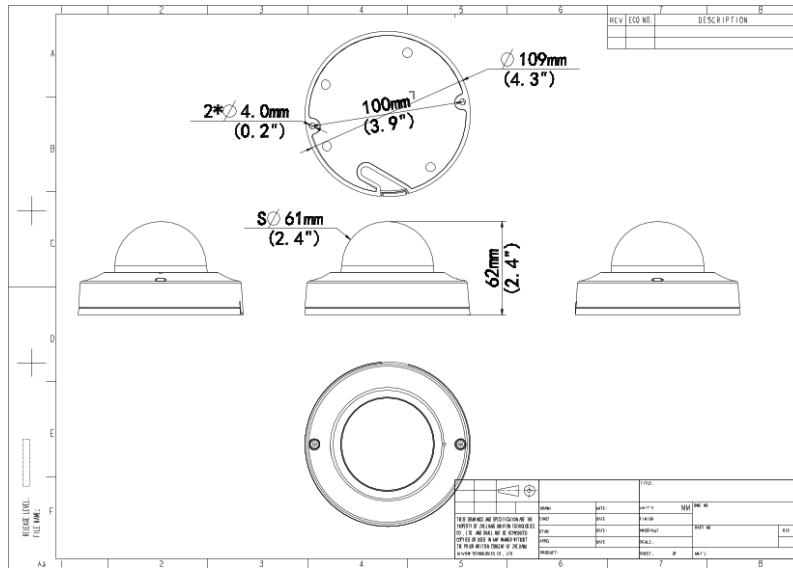
| Camera                 | Description  |
|------------------------|--|
| Max Resolution         | 4 MP   |
| Sensor                 | 1/2.7" CMOS  |
| Min. Illumination      | Colour:0.003 lux (F1.6, AGC ON)<br>0 lux with IR                         |
| Day/Night              | IR-cut filter with auto switch (ICR)                                     |
| Shutter                | Auto/Manual, 1 ~ 1/100000s   |
| Adjustment Angle       | Pan: 3°~360°, Tilt: 0° ~ 68°, Rotate:3°~360°                             |
| S/N                    | >52dB  |
| WDR                    | 120dB  |
| Lens                   | Description  |
| Focal Length           | IPC354SB-ADNF28K-I0:2.8 mm<br>IPC354SB-ADNF40K-I0:4.0 mm                 |
| Iris Type              | Fixed  |
| Iris                   | F1.6   |
| Field of View (H)      | IPC354SB-ADNF28K-I0:101.1°<br>IPC354SB-ADNF40K-I0:83.5°                  |
| Field of View (V)      | IPC354SB-ADNF28K-I0:55.3°<br>IPC354SB-ADNF40K-I0:43.0°                   |
| Field of View (D)      | IPC354SB-ADNF28K-I0:111.1°<br>IPC354SB-ADNF40K-I0:99.7°                  |
| Lens Type              | Fixed  |
| DORI                   | Description  |
| DORI Distance (Lens)   | IPC354SB-ADNF28K-I0:2.8mm<br>IPC354SB-ADNF40K-I0:4.0mm                   |
| DORI Distance (Detect) | IPC354SB-ADNF28K-I0:63.0m(206.7ft)<br>IPC354SB-ADNF40K-I0:90.0m(295.2ft) |

|                            |  |
|----------------------------|--|
| DORI Distance (Observe)    | IPC354SB-ADNF28K-I0:25.2m(82.7ft)<br>IPC354SB-ADNF40K-I0:36.0m(118.1ft)  |
| DORI Distance (Recognize)  | IPC354SB-ADNF28K-I0:12.6m(41.3ft)<br>IPC354SB-ADNF40K-I0:18.0m(59.1ft)   |
| DORI Distance (Identify)   | IPC354SB-ADNF28K-I0:6.3m(20.7ft)<br>IPC354SB-ADNF40K-I0:9.0m(29.5ft)   |
| <b>Illuminator</b>         | <b>Description</b>   |
| Supplemental Light         | IR   |
| Illumination Distance (IR) | 30 m (98.4 ft)   |
| Light On/Off Control       | Auto/Manual  |
| Wavelength                 | 850 nm   |
| <b>Video</b>               | <b>Description</b>   |
| Video Compression          | Ultra 265, H.265, H.264, MJPEG   |
| H.264 Code Profile         | Baseline profile, Main profile, High profile   |
| Frame Rate                 | Main Stream: 4MP (2688*1520), Max 30fps; 4MP (2560*1440), Max 30fps; 3MP (2304*1296), Max 30fps;1080P(1920*1080),Max30fps<br>Sub Stream: 720P (1280*720), Max 30fps; D1 (720*576), Max 30fps; 640*360,Max 30fps; 2CIF(704*288), Max 30fps; CIF(352*288), Max 30fps;<br>Third Stream: D1 (720*576), Max 30fps; 640*360,Max 30fps; 2CIF(704*288), Max 30fps; CIF(352*288), Max 30fps |
| Video Bit Rate             | 128 Kbps ~ 16 Mbps   |
| U-code                     | Support  |
| OSD                        | Up to 8 OSDs   |
| Privacy Mask               | Up to 4 areas  |
| ROI                        | Support  |
| Video Stream               | Triple Streams   |
| <b>Image</b>               | <b>Description</b>   |
| Smart IR                   | Support  |
| White Balance              | Auto, Outdoor, Fine Tune, Sodium Lamp, Locked, Auto2   |
| Digital Noise Reduction    | 2D/3D DNR  |
| Flip                       | Normal, Flip Vertical, Flip Horizontal, 180°, 90° Clockwise, 90° Anti-clockwise  |
| Dewarping                  | N/A  |
| HLC                        | Support  |

|                            |  |
|----------------------------|--|
| BLC                        | Support  |
| Defog                      | Digital Defog  |
| <b>Intelligent</b>         | Description  |
| Smart Intrusion Prevention | Cross line detection, Intrusion detection, Enter area detection, Leave area detection (support false alarm filtering and the classification of human, non-motor vehicle and vehicle)                       |
| Statistical Analysis       | N/A  |
| People Counting            | Support People Flow Counting and Crowd Density Monitoring  |
| <b>Events</b>              | Description  |
| Basic Detection            | Motion Detection, Ultra Motion Detection, Tampering Alarm, Audio Detection   |
| General Function           | Watermark, IP Address Filtering, Access Policy, ARP Protection, RTSP Authentication, User Authentication, HTTP Authentication  |
| <b>Audio</b>               | Description  |
| Audio Compression          | G.711U, G.711A   |
| Audio Bitrate              | 64 Kbps  |
| Two-way Audio              | Support  |
| Suppression                | Support  |
| Sampling Rate              | 8 KHz  |
| <b>Storage</b>             | Description  |
| Edge Storage               | Micro SD, up to 512 GB   |
| Network Storage            | ANR, NAS (NFS)   |
| <b>Network</b>             | Description  |
| Protocols                  | IPv4, IPv6, IGMP, ICMP, ARP, TCP, UDP, DHCP, RTP, RTSP, RTCP, RTMP, DNS, DDNS, NTP, FTP, UPnP, HTTP, HTTPS, SMTP, SSL/TLS, 802.1x, SNMP, PPPoE   |
| Compatible Integration     | ONVIF (Profile S, Profile G, Profile T, Profile M), API, SDK   |
| User/Host                  | Up to 32 users. 3 user levels: administrator, common user and operator   |
| Security                   | Password Protection, Strong Password, HTTPS Encryption, Export Operation Logs, Basic and Digest Authentication for RTSP, Digest Authentication for HTTP, TLS 1.2, WSSE and Digest Authentication for ONVIF |
| Client                     | UNV-Link, UNV-Link Pro, EZStation  |
| Web Browser                | Plug-in required live view: IE 10 and above, Chrome 45 and above, Firefox 52 and above, Edge 79 and above, Plug-in free live view: Chrome 57.0 and above, Firefox 58.0 and above, Edge 16 and above        |

| Interface           | Description   |
|---------------------|---|
| Audio I/O           | 1 Input: impedance 35 k $\Omega$ , amplitude 2 V [p-p], 1 Output: impedance 600 $\Omega$ , amplitude 2 V [p-p]  |
| Alarm I/O           | 1/1   |
| Serial Port         | N/A   |
| Built-in Mic        | Support   |
| Built-in Speaker    | N/A   |
| WIFI                | N/A   |
| Network             | 1 x RJ45 10M/100M Base-TX Ethernet  |
| Video Output        | N/A   |
| Certification       | Description   |
| EMC                 | CE-EMC (EN 55032, EN 61000-3-3, EN IEC 61000-3-2, EN 55035)<br>FCC (FCC 47 CFR part15 B)  |
| Safety              | CE LVD (EN 62368-1)<br>CB (IEC 62368-1)<br>UL/CUL (UL 62368-1, CAN/CSA C22.2 No. 62368-1)   |
| Environment         | CE-RoHS (2011/65/EU;(EU)2015/863); WEEE (2012/19/EU)  |
| General             | Description   |
| Power               | DC 12V $\pm$ 25%, PoE (IEEE 802.3af)  |
| Power Consumption   | Max 4.5W  |
| Power Interface     | $\varnothing$ 5.5 mm coaxial power plug   |
| Dimensions          | $\varnothing$ 109 x 62mm ( $\varnothing$ 4.3" x 2.4" ) ( $\varnothing$ x H)   |
| Weight              | 0.22kg(0.49b)   |
| Material            | Metal + Plastic   |
| Working Environment | -30 $^{\circ}$ C ~ 60 $^{\circ}$ C (-22 $^{\circ}$ F ~ 140 $^{\circ}$ F), Humidity: $\leq$ 95% RH (non-condensing)  |
| Storage Environment | -30 $^{\circ}$ C ~ 60 $^{\circ}$ C (-22 $^{\circ}$ F ~ 140 $^{\circ}$ F), Humidity: $\leq$ 95% RH (non-condensing)  |
| Surge Protection    | 4 KV  |
| Reset Button        | Support   |
| Web Client Language | 20 Languages<br>Traditional Chinese, English, Simplified Chinese, Polish, German, Russian, French, Korean, Dutch, Czech, Portuguese (Europe), Portuguese (Brazil), Japanese, Thai, Turkish, Spanish (Latin America), Spanish (Europe), Hungarian, Italian, Vietnamese |

## Dimensions



## Accessories

TR-JB03-G-IN

Junction Box for Mini Fix-dome(Support wiring from behind)



TR-UM06-E-IN

Slant Mounting Bracket for Fixed Dome



TR-A01-IN

NPT 3/4" Waterproof Cable Gland



TR-UP06-IN

Universal Pole Mounting Bracket



TR-UC08-C

Bullet&Dome Corner Mounting Bracket



TR-SE24-IN

Dome Pendant Mounting Pole 200m



TR-SE24-A-IN

Dome Pendent Mounting Pole 500m  
m



TR-CM24-IN

Dome Pendent Mounting Bracket(Indoor)



TR-WM03-D-IN

Wall Mounting Bracket for 32 Fix-dome&Mini Fix-dome&Plastic Turret Camera



TR-JB07/WM03-G-IN

Wall Mounting Assembling Bracket For 32 Fix-dome&Mini Fix-dome&Plastic Turret Camera



**Zhejiang Uniview Technologies Co., Ltd.**

No. 369, Xietong Road, Xixing Sub-district, Binjiang District, Hangzhou City, 310051, Zhejiang Province, China (Zhejiang) Pilot Free Trade Zone, China

Email: [overseasbusiness@uniview.com](mailto:overseasbusiness@uniview.com); [globalsupport@uniview.com](mailto:globalsupport@uniview.com)

<http://www.uniview.com>

©2023-2024 Zhejiang Uniview Technologies Co., Ltd. All rights reserved.

\*Product specifications and availability are subject to change without notice.

\*Despite our best efforts, technical or typographical errors may exist in this document. Uniview cannot be held responsible for any such errors and reserves the right to change the contents of this document without prior notice.