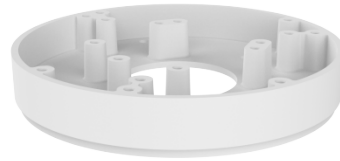


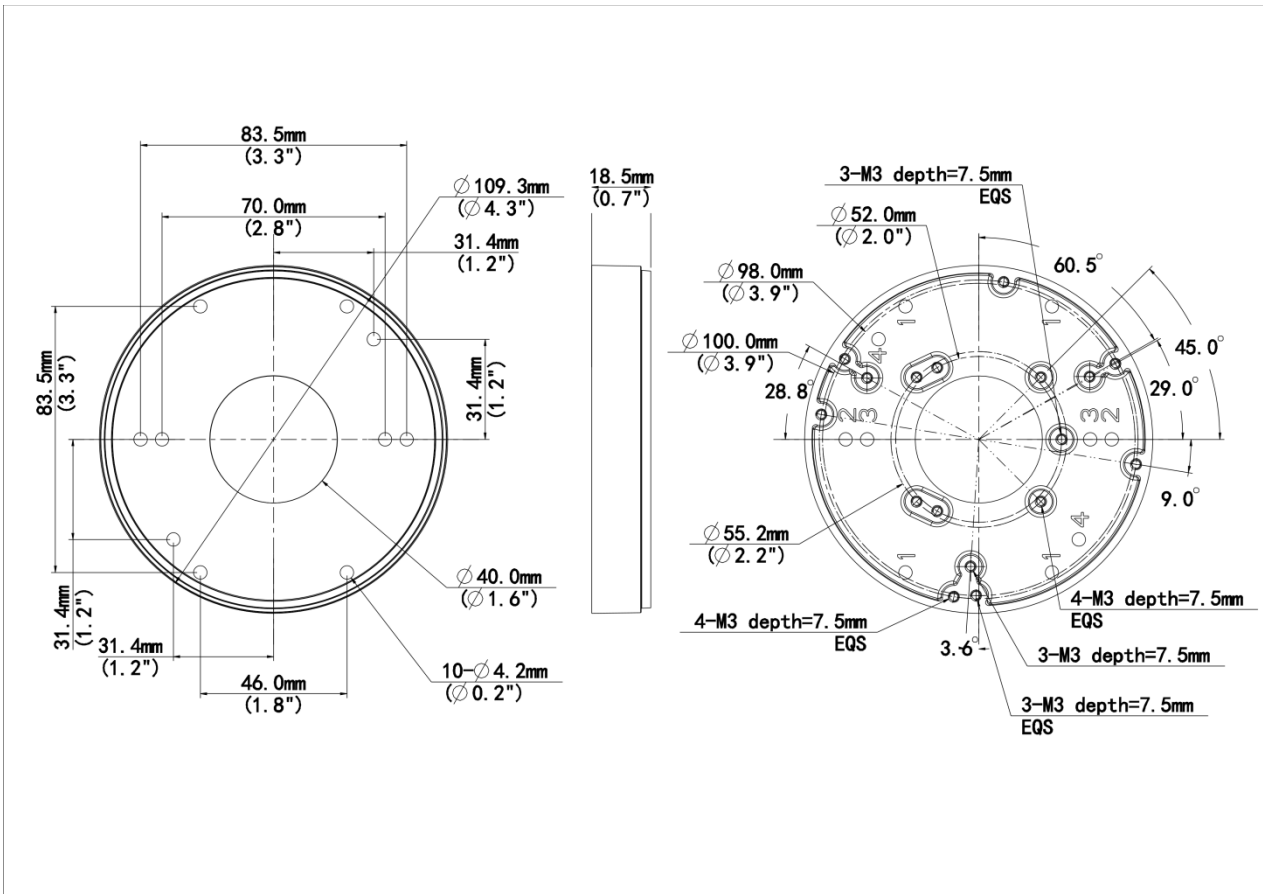
3-inch Fixed Dome Electric-box Transfer Plate
TR-SM03-IN



Specifications

Model	TR-SM03-IN
Bracket	
Application	Electric-box Transfer plate for IPC32X Series, IPC361XX Series, IPC21XX Series, IPC231X SB Series, IPC232X LB Series
Bracket Dimensions	Φ109mmx19mm (4.3" x0.7")
Bracket Weight	0.11kg(0.24lb)
Bracket Material	Aluminum alloy

Dimensions



Unlimited New View

Zhejiang Uniview Technologies Co., Ltd.



<http://www.uniview.com>



overseasbusiness@uniview.com; globalsupport@uniview.com



No. 369, Xietong Road, Xixing Sub-district, Binjiang District, Hangzhou City, 310051, Zhejiang Province, China



©2023-2025 Zhejiang Uniview Technologies Co., Ltd. All rights reserved.

*Product specifications and availability are subject to change without notice.

Despite our best efforts, technical or typographical errors may exist in this document. Uniview cannot be held responsible for any such errors and reserves the right to change the contents of this document without prior notice.