

## 3MP Indoor Pan & Tilt Wi Fi Camera

### Uho-S2E-M3-A



## Features

- High quality image with 3MP, 1/3" CMOS sensor
- 3MP (2304\*1296)@25/20fps; 2MP (1920\*1080)@30/25fps; 720P (1280\*720) @30/25fps
- Ultra 265, H.265, H.264
- Built in Mic & Speaker, support two way audio, offer better interaction
- IR night vision, up to 10m (33ft) IR distance
- Support 512 G Micro SD card
- Wi Fi connection and easy installation

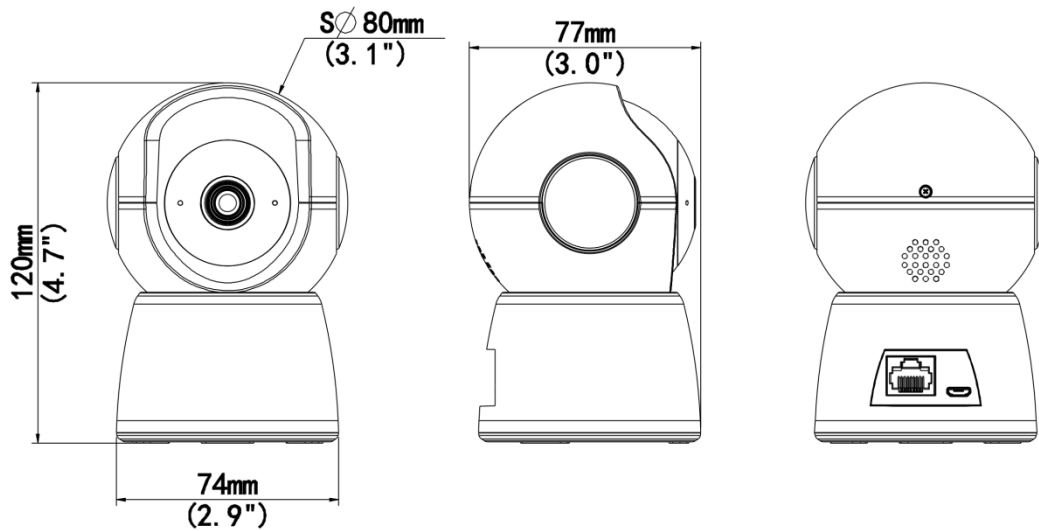
## Specifications

Model	Uho-S2E-M3-A
<b>Camera</b>	
Max Resolution	3 MP
Sensor	1/3.0" CMOS
Min. Illumination	Colour: 0.02 lux (F2.0, AGC ON) 0 lux with IR on
Day/Night	IR-cut filter with auto switch (ICR)
Shutter	Auto/Manual, 1/4 to 1/100000 s
S/N	> 52 dB
WDR	DWDR
<b>Lens</b>	
Focal Length	4.0 mm
Iris	F2.0
Field of View (H)	67.3°
Field of View (V)	37.2°
Field of View (D)	77.8°
Lens Type	Fixed
Iris Type	Fixed
<b>Illuminator</b>	
Illumination Distance (IR)	10 m (32.8 ft.)
Wavelength	850 nm
IR On/Off Control	Auto/Manual
Supplemental Light	IR
<b>Video</b>	
Video Compression	Ultra 265, H.265, H.264
Frame Rate	Main Stream: 3MP (2304*1296), Max 25fps; 2MP (1920*1080), Max 30fps; 720P (1280*720), Max 30fps; Sub Stream: 640*360, Max 30fps; 2CIF (704*288), Max 30fps; CIF (352*288), Max 30fps;
Video Bit Rate	128 Kbps to 2048 Kbps
U-code	Support
OSD	Up to 2 OSDs
Privacy Mask	Support (only NVR)
ROI	Support
Video Stream	Dual streams
<b>Image</b>	
White Balance	Auto, Outdoor, Fine tune, Sodium lamp, Locked, Auto2
Digital Noise Reduction	2D/3D DNR
Smart IR	Support
Flip	Normal, Flip vertical, Flip horizontal, 180°
Dewarping	N/A
HLC	N/A

BLC	Support
Defog	Digital defog
Events	
Basic Detection	Motion detection, Ultra motion detection (human/ vehicle/ pet), Crying detection, High-Decibel detection
General Function	IP address filtering, Access policy, ARP protection, RTSP authentication, User authentication, HTTP authentication
Intelligent	
Auto Tracking	Support
Audio	
Audio Compression	G.711U, G.711A
Audio Bitrate	64 Kbps
Two-way Audio	Support
Suppression	Support
Sampling Rate	8 kHz
Storage	
Edge Storage	MicroSD, up to 512 GB
Network Storage	ANR
Network	
Wi-Fi	2.4G Wi-Fi (IEEE802.11b/g/n), built-in antenna
Protocols	IPv4, TCP, UDP, DHCP, RTSP, DNS, DDNS, NTP, HTTP
Compatible Integration	API, SDK
Client	APP, Uniarch client
Web Browser	Plug-in required live view: IE 10+, Chrome 45+, Firefox 52+, Edge 79+
Wi-Fi	
Wireless Standards	IEEE802.11b/g/n
Frequency Range	2.4 GHz to 2.4835 GHz
Channel Bandwidth	20 MHz Support
Modulation Mode	802.11b: CCK, QPSK, BPSK 802.11g/n: OFDM/HT
Wi-Fi Security	64/128-bit WEP, WPA-PSK/WPA2-PSK
Transmit Power	802.11b: 17±1.5 dBm@11 Mbps 802.11g: 14±1.5 dBm@54 Mbps 802.11n: 12.5±1.5 dBm@150 Mbps
Receive Sensitivity	802.11b: -90 dBm@11 Mbps (Typical) 802.11g: -75 dBm@54 Mbps (Typical) 802.11n: -74 dBm@150 Mbps (Typical)
Transmission Rate	802.11b: 11 Mbps 802.11g: 54 Mbps 802.11n: up to 150 Mbps
PTZ	
Pan Range	0° ~ 338°
Pan Speed	17°/s ~ 50°/s Preset speed: 50°/s
Tilt Range	-5° ~ 55°
Tilt Speed	17°/s ~ 50°/s Preset speed: 50°/s
Number of Presets	20

Interface	
Audio I/O	N/A
Alarm I/O	N/A
Built-in Mic	Support
Built-in Speaker	Support
WIFI	Support
Network	1 × RJ45 10 M/100 M Base-TX Ethernet
Certification	
EMC	CE-EMC (EN 55032, EN 61000-3-3, EN IEC 61000-3-2, EN 55035) FCC (FCC 47 CFR part15 B)
RF	FCC ID (FCC CFR 47 part15 C) CE RED (EN 301 489-1, EN 301 489-17, EN 300 328, EN 62311)
Safety	CE LVD (EN 62368-1)
Environment	CE-RoHS (2011/65/EU; (EU) 2015/863) ; WEEE (2012/19/EU) ;
General	
Power Consumption	Max 7.5W
Power	DC 5V/1.5A Micro USB interface
LED Indicator	1, red/blue
Dimensions	Φ80 x 120mm (Ø3.1" x 4.8")
Weight	0.18kg(0.40lb)
Working Environment	-10 °C to 50 °C (14 °F to 122 °F), Humidity: ≤ 95% RH (non-condensing)
Storage Environment	-10 °C to 50 °C (14 °F to 122 °F), Humidity: ≤ 95% RH (non-condensing)
Reset Button	Support

## Dimensions



## Accessories

### TR-WM05-A

Indoor Camera PTZ Wall Mount Bracket

--	--	--

### Zhejiang Uniview Technologies Co., Ltd.



<http://www.uniview.com>



[overseasbusiness@uniview.com](mailto:overseasbusiness@uniview.com); [globalsupport@uniview.com](mailto:globalsupport@uniview.com)



No. 369, Xietong Road, Xixing Sub-district, Binjiang District, Hangzhou City, 310051, Zhejiang Province, China



©2023-2025 Zhejiang Uniview Technologies Co., Ltd. All rights reserved.

\*Product specifications and availability are subject to change without notice.

\*Despite our best efforts, technical or typographical errors may exist in this document.

Uniview cannot be held responsible for any such errors and reserves the right to change the contents of this document without prior notice.