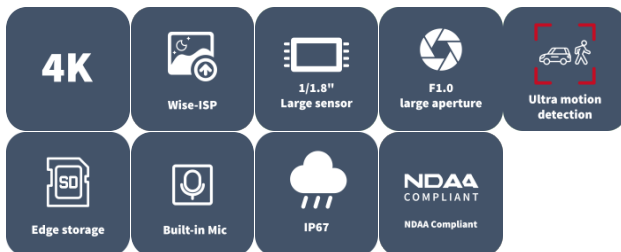


# 8MP ColorHunter with Wise-ISP Fixed Eyeball Network Camera IPC3628LE-ADF28(40)K-WP



## Features

- High quality image with 8 MP, 1/1.8" CMOS sensor and F1.0 large aperture lens
- 8 MP (3840 × 2160)@20 fps; 5 MP (3072 × 1728)@30/25 fps; 4 MP (2560 × 1440)@30/25 fps; 1080P (1920 × 1080)@30/25 fps
- Ultra 265, H.265, H.264, MJPEG
- ColorHunter with Wise-ISP technology ensures 24-hour full-color images
- 120 dB true WDR technology enables clear image in strong light scene
- Supports 9:16 corridor mode
- Built-in mic
- White light, up to 30 m (98.4 ft.) warm light distance
- MicroSD, up to 512 GB
- IP67 protection
- Supports PoE power supply
- 3-axis

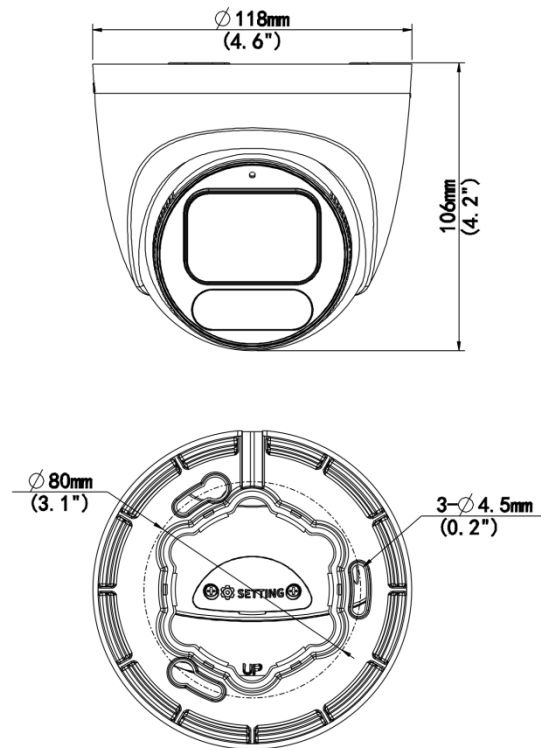
## Specifications

| Model                              | IPC3628LE-ADF28K-WP  | IPC3628LE-ADF40K-WP |
|------------------------------------|--|---------------------|
| <b>Camera</b>                      |  |                     |
| Max Resolution                     | 8 MP   |                     |
| Sensor                             | 1/1.8" CMOS  |                     |
| Min. Illumination                  | Color: 0.0003 Lux (F1.0, AGC ON)   |                     |
| Shutter                            | Auto/Manual, 1 ~ 1/100000s   |                     |
| Adjustment Angle                   | Pan: 0° to 360°, Tilt: 0° to 90°, Rotate: 0° to 360°   |                     |
| S/N                                | >52 dB   |                     |
| WDR                                | 120 dB   |                     |
| <b>Lens</b>                        |  |                     |
| Focal Length                       | 2.8 mm   | 4.0 mm              |
| Iris Type                          | Fixed  |                     |
| Iris                               | F1.0   |                     |
| Field of View (H)                  | 111.0°   | 94.2°               |
| Field of View (V)                  | 63.0°  | 51.0°               |
| Field of View (D)                  | 131.0°   | 111.7°              |
| Lens Type                          | Fixed  |                     |
| <b>DORI</b>                        |  |                     |
| DORI Distance (Lens)               | 2.8 mm   | 4 mm                |
| DORI Distance (Detect)             | 63.0 m (206.7 ft.)   | 90.0 m (295.3 ft.)  |
| DORI Distance (Observe)            | 25.2 m (82.7 ft.)  | 36.0 m (118.1 ft.)  |
| DORI Distance (Recognize)          | 12.6 m (41.3 ft.)  | 18.0 m (59.1 ft.)   |
| DORI Distance (Identify)           | 6.3 m (20.7 ft.)   | 9.0 m (29.5 ft.)    |
| <b>Illuminator</b>                 |  |                     |
| Supplemental Light                 | Warm light   |                     |
| Illumination Distance (Warm Light) | 30 m (98.4 ft.)  |                     |
| Light On/Off Control               | Auto/Manual  |                     |
| <b>Video</b>                       |  |                     |
| Video Compression                  | Ultra 265, H.265, H.264, MJPEG   |                     |
| H.264 Code Profile                 | Baseline profile, Main profile, High profile   |                     |
| Frame Rate                         | Main Stream: 8 MP (3840 × 2160), max. 20 fps; 5 MP (3072 × 1728), max. 30 fps; 4 MP (2560 × 1440), max. 30 fps; 1080P (1920 × 1080), max. 30 fps; 720P (1280 × 720), max. 30 fps;<br>Sub Stream: 1080P (1920 × 1080), max. 30 fps; 720P (1280 × 720), max. 30 fps; D1 (720 × 576), max. 30 fps; 640 × 360, max. 30 fps; 2CIF (704 × 288), max. 30 fps; CIF (352 × 288), max. 30 fps; |                     |
| Video Bit Rate                     | 128 Kbps to 6144 Kbps  |                     |
| U-code                             | Support  |                     |
| OSD                                | Up to 4 OSDs   |                     |
| Privacy Mask                       | Up to 4 areas  |                     |
| ROI                                | Support  |                     |
| Video Stream                       | Dual streams   |                     |

| Image                             |  |
|-----------------------------------|--|
| White Balance                     | Auto, Outdoor, Fine tune, Sodium lamp, Locked, Auto2   |
| Digital Noise Reduction           | 2D/3D DNR  |
| Smart Illumination                | Support  |
| Flip                              | Normal, Flip vertical, Flip horizontal, 180°, 90° Clockwise, 90° Anti-clockwise  |
| Dewarping                         | N/A  |
| HLC                               | Support  |
| BLC                               | Support  |
| Defog                             | Digital defog  |
| Image Stabilization               | N/A  |
| Events                            |  |
| Basic Detection                   | Motion detection, Ultra motion detection (based on human body and vehicle detection), Tampering alarm, Audio detection   |
| General Function                  | Watermark, IP address filtering, Access policy, ARP protection, RTSP authentication, User authentication, HTTP authentication  |
| Intelligent                       |  |
| Smart Intrusion Prevention (Lite) | Intrusion, crossline detection (both detection are based on human body and vehicle detection)  |
| Audio                             |  |
| Audio Compression                 | G.711U, G.711A   |
| Audio Bitrate                     | 64 Kbps  |
| Two-way Audio                     | N/A  |
| Suppression                       | Support  |
| Sampling Rate                     | 8 kHz  |
| Storage                           |  |
| Edge Storage                      | MicroSD, up to 512 GB  |
| Network Storage                   | ANR, NAS (NFS)   |
| Network                           |  |
| Protocols                         | IPv4, IPv6, IGMP, ICMP, ARP, TCP, UDP, DHCP, PPPoE, RTP, RTSP, RTCP, DNS, DDNS, NTP, FTP, UPnP, HTTP, HTTPS, SMTP, 802.1x, SNMP, QoS, RTMP, SSL/TLS  |
| Compatible Integration            | ONVIF (Profile S, Profile G, Profile T), API, SDK  |
| User/Host                         | Up to 32 users, 2 user levels: administrator and common user   |
| Security                          | Password Protection, Strong Password, HTTPS Encryption, Export Operation Logs, Basic and Digest Authentication for RTSP, Digest Authentication for HTTP, TLS 1.2, WSSE and Digest Authentication for ONVIF |
| Client                            | EZStation, APP   |
| Web Browser                       | Plug-in required live view: IE 10+, Chrome 45+, Firefox 52+, Edge 79+, Plug-in free live view: Chrome 57+, Firefox 58+, Edge 16+   |
| Interface                         |  |
| Audio I/O                         | N/A  |
| Alarm I/O                         | N/A  |
| Serial Port                       | N/A  |
| Built-in Mic                      | Support  |

|                      |  |
|----------------------|--|
| Built-in Speaker     | N/A  |
| WIFI                 | N/A  |
| Network              | 1 × RJ45 10 M/100 M Base-TX Ethernet   |
| Video Output         | N/A  |
| <b>Certification</b> |  |
| EMC                  | CE-EMC (EN 55032, EN 61000-3-3, EN IEC 61000-3-2, EN 55035)<br>FCC (FCC 47 CFR part15 B)   |
| Safety               | CE LVD (EN 62368-1)<br>UL/CUL (UL 62368-1, CAN/CSA C22.2 No. 62368-1)  |
| Environment          | CE-RoHS (2011/65/EU;(EU)2015/863); WEEE (2012/19/EU);  |
| Protection           | IP67 (IEC 60529)   |
| <b>General</b>       |  |
| Power                | DC 12 V±25%, PoE (IEEE 802.3af)  |
| Power Consumption    | Max. 3.9 W   |
| Power Interface      | Ø5.5 mm coaxial power plug   |
| Dimensions           | Ø118 mm × 106 mm (Ø4.6" × 4.2") (Ø × H)  |
| Weight               | 0.48 kg (1.06 lb.)   |
| Material             | Metal + Plastic  |
| Working Environment  | -30 °C to 60 °C (-22 °F to 140 °F), Humidity: ≤ 95% RH (non-condensing)  |
| Storage Environment  | -30 °C to 60 °C (-22 °F to 140 °F), Humidity: ≤ 95% RH (non-condensing)  |
| Surge Protection     | 4 KV   |
| Reset Button         | Support  |
| Web Client Language  | 13 Languages: English, Simplified Chinese, Polish, German, Russian, French, Korean, Dutch, Czech, Portuguese, Spanish, Spanish (Europe), Italian |

# Dimensions



# Accessories

**TR-JB03-I-IN**

Junction Box for Turret Camera(Support wiring from behind)



TR-JB03-I-IN

**TR-SE24-IN**

Dome Pendant Mounting Pole 200mm



TR-SE24-IN

**TR-A01-IN**

NPT 3/4" Waterproof Cable Gland



TR-A01-IN

Wall Mounting Assembling Bracket For 32 Fix-dome&Mini Fix-dome&Plastic Turret Camera



TR-SE24-A-IN

Dome Pendant Mounting Pole 500mm



Dome Pendant Mounting Bracket(Indoor)



TR-WM03-D-IN-V2

Wall Mounting Bracket for 32

Fix-dome&Mini Fix-dome&Plastic Turret  
Camera



TR-UC08-C-V2

Bullet&Dome Corner Mounting Bracket



TR-UP06-C-IN-V2

Pole Mounting Bracket for Bullet Junction  
Box Only



# Unlimited New View

浙江宇视科技有限公司



<http://www.uniview.com>



[overseasbusiness@uniview.com](mailto:overseasbusiness@uniview.com); [globalsupport@uniview.com](mailto:globalsupport@uniview.com)



South Tower, Building 10, Wanlun Science Park, 88 Jiangling Road, Hangzhou, P.R.China



©2023-2025 Zhejiang Uniview Technologies Co., Ltd. All rights reserved.

\*Product specifications and availability are subject to change without notice.

虽然我司试图在本资料中提供准确的信息，但不保证资料的内容不含有技术性误差或印刷性错误，为此我司对本资料中的不准确不承担任何责任。我司保留在没有通知或提示的情况下对本资料的内容进行修改的权利。