

OEC-W2D-ES

OEC-W2D-ES



Overview

OEC-W2D-ES Desktop Desfire Card Issuer is a card issuing device that supports reading card numbers and writing data to specified sectors, achieving card reading and writing functions. Usually used with access control controllers, EZAccess, and speed gate management platforms.

Features

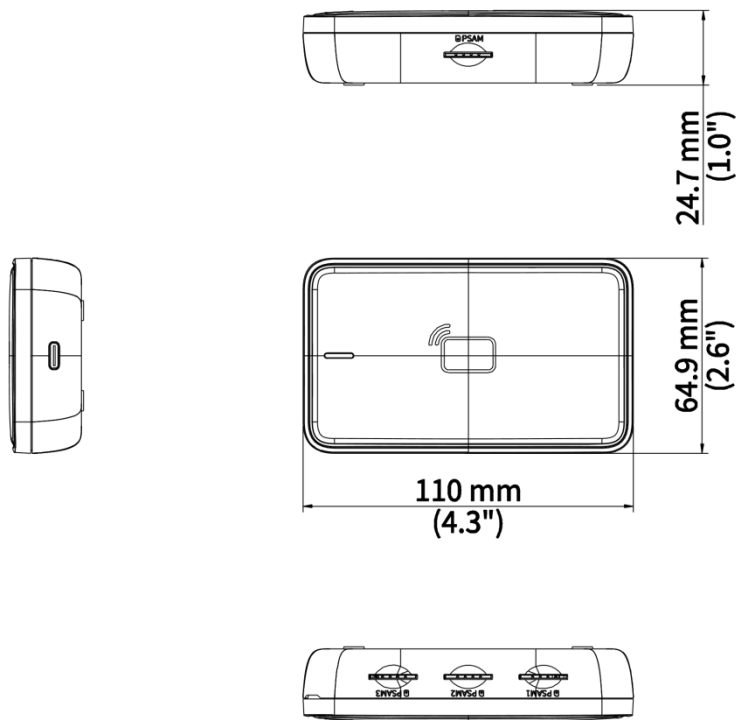
- Supports USB power supply, automatic power extraction without external power supply;
- Supports EM card number reading, supports Desfire card and Mifare card reading and writing;
- Supports reading card numbers and writing data to specified sectors;
- Supports Windows 10 system.

Specifications

Model	OEC-W2D-ES
Hardware Specification	
Operating Frequency	125kHz,13.56MHz
Dimensions	110*64.9*24.7mm(PSAM card slot is reserved for future use, not currently supported)
Weight	126g
Mount Method	Desktop Placement
Operating Temperature	30°C to 65°C
Operating Humidity	10% to 90%
Storage Temperature	40°C to 65°C
Indicator	Steady blue: Normal operation; Steady green for 1s: Card authentication succeeded;

	Steady red for 1s: Card authentication failed
Power Consumption	1W
Operating Voltage	DC 5V
Operating Current	200mA
Authentication Mode	Card
Interface	USB2.0 x1 (Plug and Play, no driver installation required,Standard 1.5 meters)
Physical	
Material	PC
Basic Business	
Reading Time	< 1s
Card Type	Supports Mifare card physical number reading, Mifare card number writing and initialization, Desfire card number writing and initialization

Dimensions



Unlimited New View

Zhejiang Uniview Technologies Co., Ltd.



<http://www.uniview.com>



overseasbusiness@uniview.com; globalsupport@uniview.com



No. 369, Xietong Road, Xixing Sub-district, Binjiang District, Hangzhou City, 310051, Zhejiang Province, China



©2023-2025 Zhejiang Uniview Technologies Co., Ltd. All rights reserved.

*Product specifications and availability are subject to change without notice.

Despite our best efforts, technical or typographical errors may exist in this document. Uniview cannot be held responsible for any such errors and reserves the right to change the contents of this document without prior notice.