

# 4MP+6MP 42X Wise-ISP MultiView Dual-light Network PTZ Camera IPC98246EFW-X42-W-VH1



## Features

- Panoramic dual-lens splicing, three-lens design, capturing both the big picture and details at the same time
- Both the panorama and detail channels utilize 1/1.8" high-sensitivity CMOS sensors to capture clear images even when light level drops to almost zero at night
- Panorama adopts the cutting-edge splicing technology to output a horizontal 200° and vertical 80° stitched image for wide scenes
- Panorama supports a maximum of 3680 × 1656@30 fps HD video output, while details supports a maximum of 2688 × 1520@30 fps HD video output
- Dual-channel with one IP, provides a panoramic view and live details at the same time
- Built-in Wise-ISP algorithm enables intelligent noise reduction and stunning visual effects in low-light conditions
- Panorama supports motorized vertical adjustment from 0° to 30° to deal with complex scenes.
- Supports panoramic linkage: after an event is detected by the panorama channel, the camera automatically triggers the details channel to track the target and capture snapshots. The supported events include intrusion detection, cross line detection, enter area, and leave area
- Supports drag-to-zoom: user can drag on the panoramic image to view the magnified details of the area of interest at the center of the details channel
- Supports multiple deep-learning video content analysis, including smart intrusion prevention (SIP) and people flow counting for the panorama channel, and SIP, people flow counting, multi-target detection, and automatic tracking for the details channel
- Perimeter protection: supports cross line, enter area, leave area, and intrusion detection; supports classifying and detecting motor vehicles, non-motor vehicles, pedestrians, and triggering alarms
- Multi-target detection: supports classifying, detecting, and capturing motor vehicles, non-motor vehicles, and pedestrians; supports metadata extraction for motor vehicles, non-motor vehicles, faces, and human bodies
- People counting: including people flow counting and crowd density monitoring, suitable for various application scenarios
- Auto tracking: supports classifying and tracking motor vehicles, non-motor vehicles, and pedestrians, and returning to the initial

position at the end of the set tracking time

- Supports optical defog, automatically adjusts the defog level as needed
- Full-spectrum illumination: 30 m (98.4 ft) warm light illumination for panorama, and 350 m (1148.3 ft) IR illumination for details
- Adaptive highlight compensation automatically adjusts image brightness at night when there are moving vehicles on the road
- IP67 protection

## Specifications

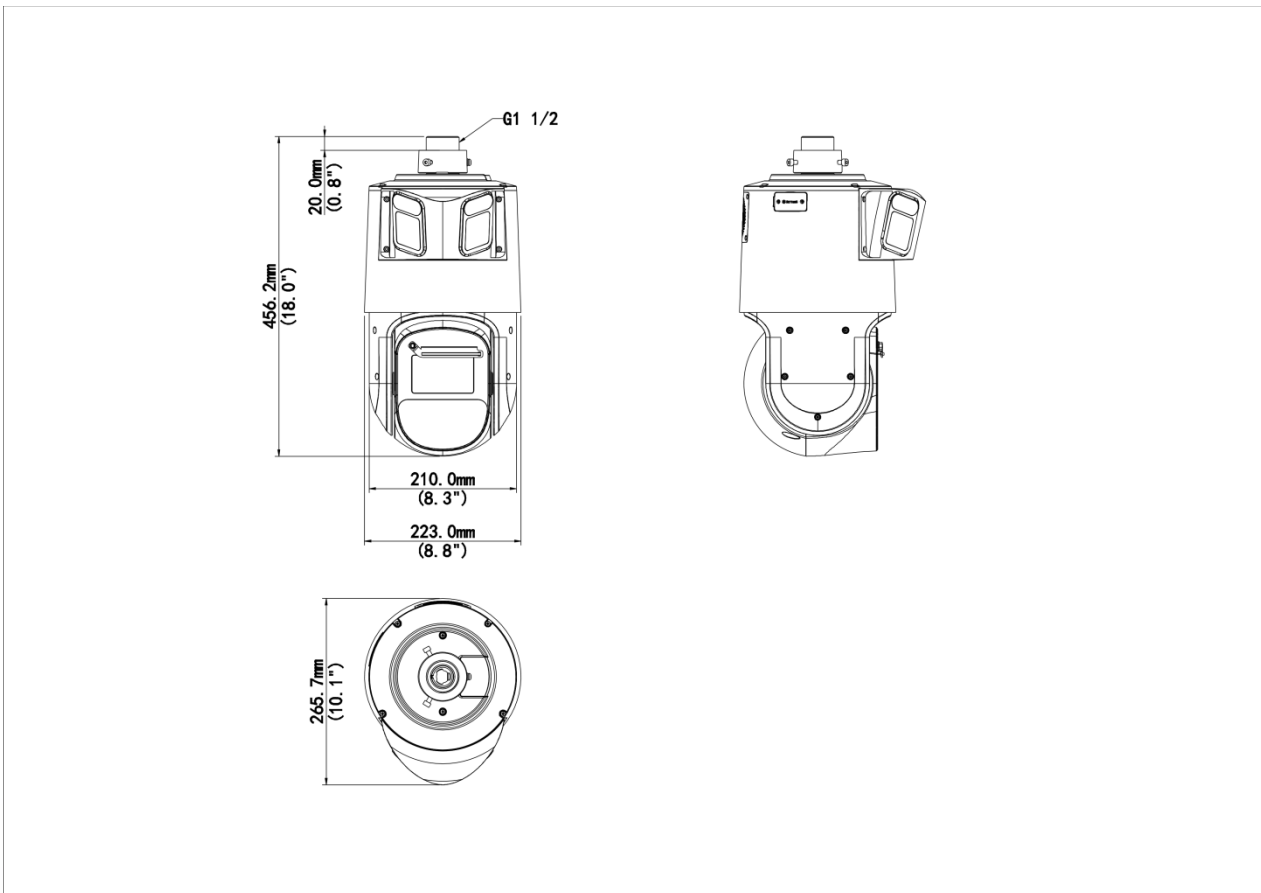
Channel	Channel 1 (Panorama)	Channel 2 (Detail)
<b>Camera</b>		
Max Resolution	6 MP	4 MP
Sensor	1/1.8" CMOS	
Min. Illumination	Color: 0.0005 Lux (F1.2, AGC ON), 0 lux with IR	
Shutter	Auto/Manual, 1 to 1/100000 s	
WDR	120 dB	
S/N	>56 dB	
<b>Lens</b>		
Digital Zoom	N/A	16X
Optical Zoom	N/A	42X
Field of View (H)	200°±5°	59.47° to 2.20°
Field of View (V)	78°	35.62° to 1.24°
Field of View (D)	260°±5°	73.14° to 2.59°
Focal Length	2.2 mm	6 to 252 mm
<b>DORI</b>		
DORI Distance (Lens)	2.2 mm	6 to 252 mm
DORI Distance (Detect)	34.1 m (111.9 ft.)	107.2 m to 3330.6 m (351.7 ft. to 10927.2 ft.)
DORI Distance (Observe)	13.7 m (45.0 ft.)	42.9 m to 1332.2 m (140.8 ft. to 4370.7 ft.)
DORI Distance (Recognize)	6.8 m (22.3 ft.)	21.4 m to 666.1 m (70.2 ft. to 2185.4 ft.)
DORI Distance (Identify)	3.4 m (11.2 ft.)	10.7 m to 333.1 m (35.1 ft. to 1092.9 ft.)
<b>Video</b>		
Privacy Mask	24 areas, up to 8 areas per scene	
Frame Rate-Main Stream	6 MP (3680 × 1656), max. 30 fps; 6 MP (3632 × 1632), max. 30 fps; 1200 × 536, max. 30 fps; 960 × 432, max. 30 fps	4 MP (2688 × 1520), max. 30 fps; 4 MP (2560 × 1440), max. 30 fps; 1080P (1920 × 1080), max. 30 fps; 720P (1280 × 720), max. 30 fps; D1 (720 × 576), max. 30 fps; 640 × 360, max. 30 fps;
Frame Rate-Sub Stream	1200 × 536, max. 30 fps; 960 × 432, max. 30 fps	1080P (1920 × 1080), max. 30 fps; 720P (1280 × 720), max. 30 fps; D1 (720 × 576), max. 30 fps; 640 × 360, max. 30 fps;
Frame Rate-Third Stream	960 × 432, max. 30 fps	D1 (720 × 576), max. 30 fps; 640 × 360, max. 30 fps; 2CIF (704 × 288), max. 30 fps; CIF (352 × 288), max. 30 fps

Video Compression	Ultra 265, H.265, H.264, MJPEG	
Frame Rate Recommendation	3680 × 1656@30 fps + 1200 × 536@30 fps + 960 × 432@30 fps 3632 × 1632@30 fps + 1200 × 536@30 fps + 960 × 432@30 fps	2688 × 1520@30 fps + 1080P@30 fps + D1@30 fps 2560 × 1440@30 fps + 1080P@30 fps + D1@30 fps
Video Bit Rate	128 Kbps to 16 Mbps	
U-code	Support	
ROI	Up to 8 areas	
Video Stream	Triple streams	
OSD	Up to 10 OSDs	
<b>Intelligent</b>		
Metadata Analyse	Support human body, human face, motor vehicle and non-motor vehicle image capture and attribute collection	
Linkage Function	Support. Triggered by fixed lens via smart intrusion prevention function to track target	
Auto Tracking	N/A	Support, target filtering: human, non-motor vehicle and vehicle
Multi-target Detection	N/A	Support
Smart Intrusion Prevention	Cross line detection, intrusion detection, enter area detection, leave area detection (support false alarm filtering and the classification of human, non-motor vehicle and vehicle)	
People Counting	Support people flow counting and crowd density detection	
<b>Image</b>		
White Balance	Auto, Outdoor, Fine tune, Sodium lamp, Locked, Auto2	
Flip	Flip vertical	Normal, Flip vertical, Flip horizontal, 180°
HLC	Support	
BLC	Support	
Smart IR	N/A	Support
Defog	Digital defog	Optical defog
Heatwave Reduction	N/A	Support
<b>Illuminator</b>		
Light On/Off Control	Auto/Manual	
Illumination Distance (Warm Light)	30 m (98.4 ft.)	N/A
Illumination Distance (VF laser)	N/A	350 m (1148.2 ft.)
<b>Events</b>		
Basic Detection	Motion detection, Audio detection, Tampering alarm, Ultra motion detection	
General Function	Watermark, IP address filtering, Alarm input, Alarm output, Access policy, ARP protection, RTSP authentication, User authentication, HTTP authentication	Watermark, IP address filtering, Access policy, Alarm output, Alarm input, User authentication, RTSP authentication, ARP protection, HTTP authentication
<b>Audio</b>		
Audio Compression	G.711U, G.711A	
Audio Bitrate	128 Kbps	

Two-way Audio	Support	
Suppression	Support	
Sampling Rate	8 kHz, 16 kHz	
<b>Storage</b>		
Edge Storage	MicroSD, up to 512 GB	
Network Storage	ANR, NAS (NFS)	
<b>Network</b>		
Protocols	SSH, IGMP, RTP, RTCP, SMTP, IPv4, IPv6, ICMP, ARP, TCP, UDP, DHCP, PPPoE, RTSP, RTMP, DNS, DDNS, NTP, FTP, UPnP, HTTP, HTTPS, 802.1x, SNMP, QoS, SSL/TLS	
Compatible Integration	ONVIF (Profile S, Profile G, Profile T, Profile M), API, SDK	ONVIF (Profile S, Profile G, Profile T), API, SDK
Security	TLS 1.3, Password Protection, Strong Password, HTTPS Encryption, Export Operation Logs, Basic and Digest Authentication for RTSP, Digest Authentication for HTTP, TLS 1.2, WSSE and Digest Authentication for ONVIF	
Client	EZStation, UNV-Link, UNV-Link Pro	
Web Browser	Plug-in required live view: IE 10+, Chrome 45+, Firefox 52+, Edge 79+	
User/Host	Up to 32 users. 3 user levels: administrator, common user and operator	
<b>PTZ</b>		
Number of Presets	N/A	1024
Preset Patrol	N/A	16 patrols, up to 64 presets for each patrol
Preset Image Freeze	N/A	Support
Home Position	N/A	Support
Pan Range	N/A	360°
Tilt Range	0° to 30°	-15° to 90°
Pan Speed	N/A	0.1°/s to 180°/s
Tilt Speed	N/A	0.1°/s to 180°/s
3D Positioning	N/A	Support
Number of Patrol	N/A	16
Snow Removal Mode	N/A	Support
Patrol Recording	N/A	Support
<b>Interface</b>		
Audio I/O	1 Input: impedance 1 kΩ, amplitude 2.5 V [p-p], 1 Output: impedance 600 Ω, amplitude 2 V [p-p]	
Alarm I/O	7/2	
Serial Port	1 × RS485	
Built-in Speaker	N/A	
Network	1 × RJ45 1000 M Base-TX Ethernet	
<b>Certification</b>		
EMC	CE-EMC (EN 55032: 2015+A1: 2020, EN 61000-3-3: 2013+A1: 2019, EN IEC 61000-3-2: 2019+A1: 2021, EN 55035: 2017+A11: 2020)	
Safety	CE LVD (EN 62368-1:2014+A11:2017)	
Environment	CE-RoHS (2011/65/EU; (EU) 2015/863)	
Protection	IP67 (IEC 60529: 1989+AMD1: 1999+AMD2: 2013) IK10 (IEC 62262, Anti-Vandalism Except for the Front Window)	

General		
Power	DC 24 V (±25%), AC 24 V (±25%), PoE (IEEE 802.3bt)	
Power Consumption	Max. 74 W	
Power Interface	Wires with cold-pressed terminal	
Dimensions	456 mm × 223 mm × 266 mm (17.95" × 8.78" × 10.47") (L × W × H)	
Weight	8.4 kg (18.52 lb.)	
Working Environment	-40 °C to 70 °C (-40 °F to 158 °F), Humidity: ≤ 95% RH (non-condensing)	
Storage Environment	-40 °C to 70 °C (-40 °F to 158 °F), Humidity: ≤ 95% RH (non-condensing)	
Surge Protection	6KV	
Web Client Language	22 Languages: Traditional Chinese, English, Simplified Chinese, Polish, German, Russian, French, Korean, Dutch, Czech, Portuguese (Europe), Portuguese (Brazil), Japanese, Thai, Turkish, Spanish (Latin America), Spanish (Europe), Hungarian, Italian, Vietnamese, Arabic, Slovak	
Wiper	N/A	Manual
Live View		
Maximum Bitstream	35	
Maximum Bandwidth	50Mbps	
3D Privacy Mask	N/A	Support

## Dimensions



# Accessories

**TR-UF45-A-IN**

Dome Indoor Ceiling Mounting Pedestal



**TR-SE45-A-IN**

Dome Ceiling Mounting Pole 500



**TR-SE45-IN**

Dome Ceiling Mounting Pole 200



**TR-CE45-IN**

Dome Indoor Ceiling Mounting Bracket



**TR-JB12-IN**

Dome Junction Box



**TR-WE45-A-IN**

Long Wall Mounting Bracket for Dome



**TR-WE45-B-IN**

Dome Gooseneck Bracket



**TR-UP08-B-IN**

Aluminium Alloy Pole Mounting Bracket



**TR-UP08-A-IN**

Dome Pole Mounting Bracket



**TR-UC08-A-IN**

Dome Corner Mounting Bracket



**TR-UC08-B-IN**

Aluminium Alloy Corner Mounting Bracket




# Unlimited New View

浙江宇视科技有限公司

 <http://www.uniview.com>

 [overseasbusiness@uniview.com](mailto:overseasbusiness@uniview.com); [globalsupport@uniview.com](mailto:globalsupport@uniview.com)

 South Tower, Building 10, Wanlun Science Park, 88 Jiangling Road, Hangzhou, P.R.China



©2023-2025 Zhejiang Uniview Technologies Co., Ltd. All rights reserved.

\*Product specifications and availability are subject to change without notice.

虽然我司试图在本资料中提供准确的信息，但不保证资料的内容不含有技术性误差或印刷性错误，为此我司对本资料中的不准确不承担任何责任。我司保留在没有通知或提示的情况下对本资料的内容进行修改的权利。